



**Parts List for  
4.50 Center Distance  
Style "Q"**

**Power Transmission Solutions**  
Regal Beloit America, Inc.  
7120 New Buffington Road  
Florence, KY 41042  
Application Engineering: 800 626 2093  
www.RegalPTS.com

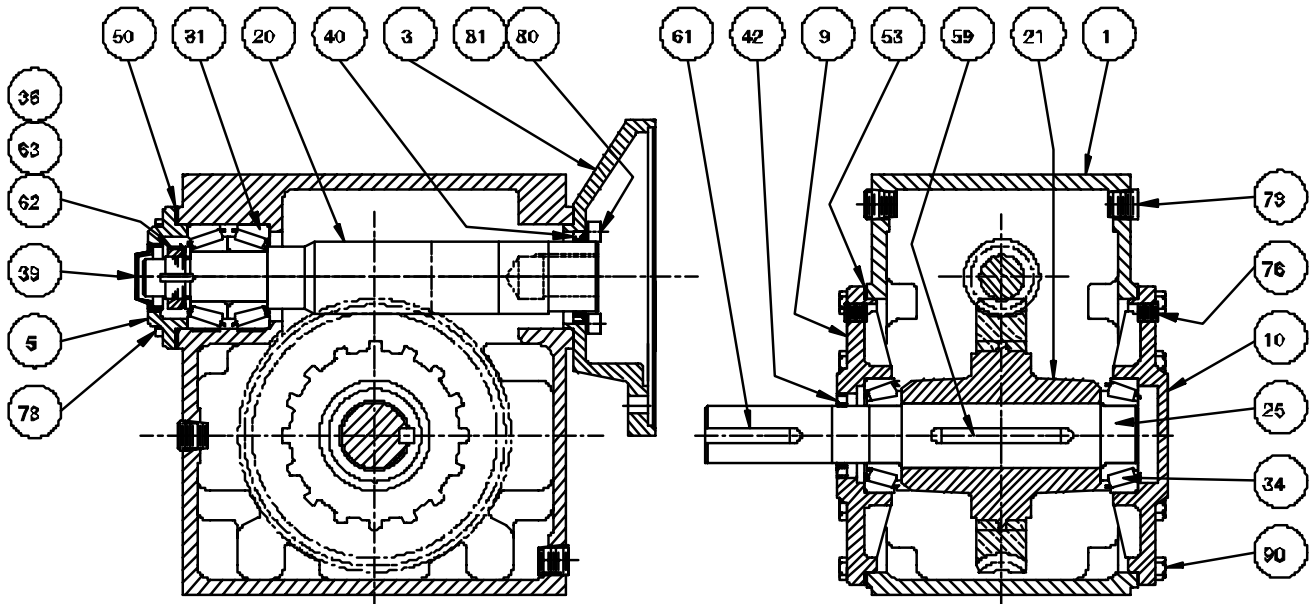
**FORM**  
**8821E**  
**Revised**  
**January 2016**

**⚠ WARNING**

- Read and follow all instructions carefully.
- Disconnect and lock-out power before installation and maintenance. Working on or near energized equipment can result in severe injury or death.
- Do not operate equipment without guards in place. Exposed equipment can result in severe injury or death.

**⚠ CAUTION**

- Periodic inspections should be performed. Failure to perform proper maintenance can result in premature product failure and personal injury.



A Regal Brand

**REGAL**

Item No.	Description	Part No.	No. Req'd	Additional Description
1	Gear Case	KK0002	1	
3	Motor Flange Adapter – 140TC Motor Flange Adapter – 184TC/215TC	KJ0140 KJ0142	1	
5	Bearing Cap – Input – Rear - Open	KK0144	1	
9	Bearing Cap – Output – Open	KK0028	1	
10	Bearing Cap – Output – Closed	KK0027	1	
20	Worm Shaft – 10:1 – 7/8" Bore Worm Shaft – 15:1 – 7/8" Bore Worm Shaft – 20:1 – 7/8" Bore Worm Shaft – 25:1 – 7/8" Bore Worm Shaft – 30:1 – 7/8" Bore Worm Shaft – 40:1 – 7/8" Bore Worm Shaft – 50:1 – 7/8" Bore Worm Shaft – 60:1 – 7/8" Bore Worm Shaft – 10:1 – 1 1/8" Bore Worm Shaft – 15:1 – 1 1/8" Bore Worm Shaft – 20:1 – 1 1/8" Bore Worm Shaft – 25:1 – 1 1/8" Bore Worm Shaft – 30:1 – 1 1/8" Bore Worm Shaft – 40:1 – 1 1/8" Bore Worm Shaft – 50:1 – 1 1/8" Bore Worm Shaft – 60:1 – 1 1/8" Bore Worm Shaft – 10:1 – 1 3/8" Bore Worm Shaft – 15:1 – 1 3/8" Bore Worm Shaft – 20:1 – 1 3/8" Bore Worm Shaft – 25:1 – 1 3/8" Bore Worm Shaft – 30:1 – 1 3/8" Bore Worm Shaft – 40:1 – 1 3/8" Bore Worm Shaft – 50:1 – 1 3/8" Bore Worm Shaft – 60:1 – 1 3/8" Bore	KK0072 KK0073 KK0074 KK0075 KK0076 KK0077 KK0078 KK0079 KK0083 KK0084 KK0085 KK0086 KK0087 KK0088 KK0089 KK0090 KK0093 KK0094 KK0095 KK0096 KK0097 KK0098 KK0099 KK0100		
21	Worm Wheel – 10:1 Worm Wheel – 15:1 Worm Wheel – 20:1 Worm Wheel – 25:1 Worm Wheel – 30:1 Worm Wheel – 40:1 Worm Wheel – 50:1 Worm Wheel – 60:1	KK0050 KK0051 KK0052 KK0053 KK0054 KK0055 KK0056 KK0057	1	
25	Shaft – Output – Single Shaft – Output – Double	KK0032 KK0033	1	
31	Bearing – Input – Rear – Cup Bearing – Input – Rear – Cone	FF0235 FF0236	2	HM89410 HM89449
34	Bearing – Output – Cup Bearing – Output – Cone	FF0237 FF0238	2	M802011 M802048
36	Support Washer	FI1465	1	Bokers Support Washer
39	Bore Plug	FG3032	1	206 RCP
40	Oil Seal – Input – Front	FG0201	1	471424
42	Oil Seal – Output	FG0178	1	473231
50	Shim Set Input	FI0326 FI0327 FI0328	2 2 2	
53	Shim Set – Output	FI0837 FI0838 FI0839	2 2 2	0.005 thickness 0.007 thickness 0.020 thickness
59	Key – Worm Wheel	FH0039	1	3/8 SQ x 3 1/2"
61	Key – Output Shaft	FH0035	1	3/8 SQ x 2 3/8"
62	Lock Nut	FJ9306	1	N-06 Lock Nut
63	Lock Washer	FJ9466	1	TW106 Lock Washer
73	Oil Plug – Gear Case	FK0508	4	SOC HD PP 1/2
76	Oil Plug – Bearing Cap	FK0104	2	1/4 NPT SQ HD Solid PP
77	Vent Plug (Shipped Loose)	FK3010	1	1/2 NPT SQ HD Vented PP
78	Hex Head Cap Screw – Bearing Cap – Input	FJ4567	4	3/8 - 16 x 1 1/4 HX HD CS
80	Socket Head Cap Screw – Motor Adapter Flange	FJ3567	4	3/8 - 16 x 1 1/4 SOC HD CS
81	Lock Washer – Motor Adapter Flange	FJ9506	4	3/8 Split
82	Hex Head Cap Screw – Motor – 56/140 Hex Head Cap Screw – Motor – 180/210	FJ4567 FJ4667	4	3/8 - 16 x 1 1/4 HX HD CS 1/2 - 13 x 1 1/4 HX HD CS
83	Lock Washer – Motor – 56/140 Lock Washer – Motor – 180/210	FJ9506 FJ9508	4	3/8 Split 1/2 Split
90	Hex Head Cap Screw – Bearing Cap - Output	FJ4567	16	3/8 - 16 x 1 1/4 HX HD CS
	Name Plate	FN0170	1	

A Regal Brand

**REGAL**

www.regalbeloit.com