



**Part List for  
6.00 Center Distance  
Style "QH"**

**Power Transmission Solutions**  
Regal Beloit America, Inc.  
7120 New Buffington Road  
Florence, KY 41042  
Application Engineering: 800 626 2093  
www.RegalPTS.com

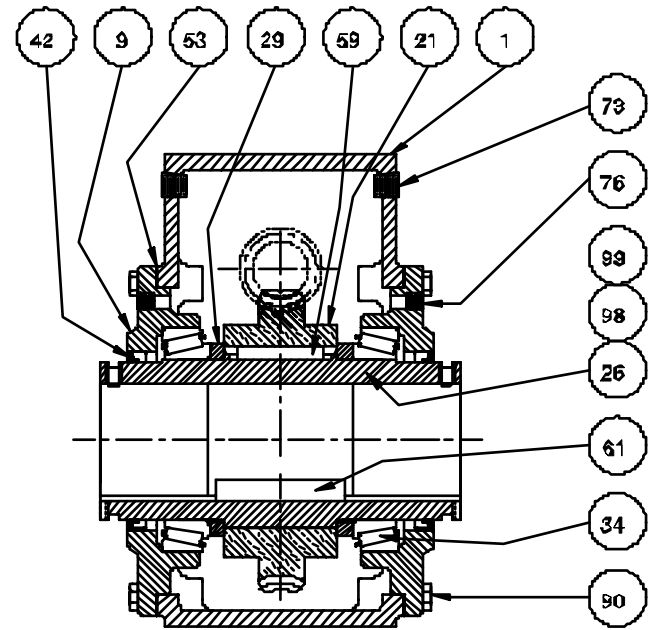
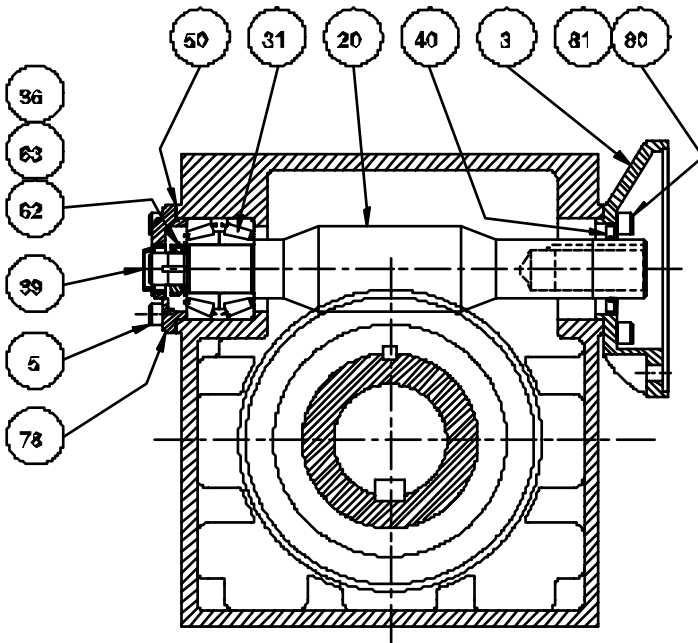
**FORM**  
**8835E**  
**Revised**  
**January 2016**

**⚠ WARNING**

- Read and follow all instructions carefully.
- Disconnect and lock-out power before installation and maintenance. Working on or near energized equipment can result in severe injury or death.
- Do not operate equipment without guards in place. Exposed equipment can result in severe injury or death.

**⚠ CAUTION**

- Periodic inspections should be performed. Failure to perform proper maintenance can result in premature product failure and personal injury.



A Regal Brand

**REGAL**

Item No.	Description	Part No.	No. Req'd	Additional Description
1	Gear Case	KM0002	1	
3	Motor Flange Adapter – 184TC/256TC	KM0142	1	
5	Bearing Cap – Input – Rear - Open	KM0144	1	
9	Bearing Cap – Output - Open	KM0030	2	
20	Worm Shaft – 5:1 – 1 1/8" Bore	KM0081	1	
	Worm Shaft – 10:1 – 1 1/8" Bore	KM0083		
	Worm Shaft – 15:1 – 1 1/8" Bore	KM0084		
	Worm Shaft – 20:1 – 1 1/8" Bore	KM0085		
	Worm Shaft – 25:1 – 1 1/8" Bore	KM0086		
	Worm Shaft – 30:1 – 1 1/8" Bore	KM0087		
	Worm Shaft – 40:1 – 1 1/8" Bore	KM0088		
	Worm Shaft – 50:1 – 1 1/8" Bore	KM0089		
	Worm Shaft – 60:1 – 1 1/8" Bore	KM0090		
	Worm Shaft – 5:1 – 1 3/8" Bore	KM0091		
	Worm Shaft – 10:1 – 1 3/8" Bore	KM0093		
	Worm Shaft – 15:1 – 1 3/8" Bore	KM0094		
	Worm Shaft – 20:1 – 1 3/8" Bore	KM0095		
	Worm Shaft – 25:1 – 1 3/8" Bore	KM0096		
	Worm Shaft – 30:1 – 1 3/8" Bore	KM0097		
	Worm Shaft – 40:1 – 1 3/8" Bore	KM0098		
	Worm Shaft – 50:1 – 1 3/8" Bore	KM0099		
	Worm Shaft – 60:1 – 1 3/8" Bore	KM0100		
21	Worm Wheel – 5:1	DR0141	1	
	Worm Wheel – 10:1	DR0143		
	Worm Wheel – 15:1	DR0144		
	Worm Wheel – 20:1	DR0145		
	Worm Wheel – 25:1	DR0146		
	Worm Wheel – 30:1	DR0147		
	Worm Wheel – 40:1	DR0148		
	Worm Wheel – 50:1	DR0149		
	Worm Wheel – 60:1	DR0150		
26	Shaft – Output - Hollow	KM0101	1	
29	Spacer	KM0016	2	
31	Bearing – Input – Rear - Cup	FF0177	2	HM803110
	Bearing – Input – Rear - Cone	FF0323		HM803146
34	Bearing – Output – Cup	FF0324	2	48620
	Bearing – Output – Cone	FF0325		48685
36	Support Washer	FJ9486	1	K91506 Timken Washer
39	Bore Plug	FG3033	1	237 RCP
40	Oil Seal – Input – Front	FG0214	1	473242
42	Oil Seal – Output	FG0198	2	476842
50	Shim Set Input	FI0849	2	0.005 thickness
		FI0850	2	0.007 thickness
		FI0851	2	0.020 thickness
53	Shim Set – Output	FI0853	2	0.005 thickness
		FI0854	2	0.007 thickness
		FI0855	2	0.020 thickness
59	Key – Worm Wheel	FH0163	1	3/4" SQ x 3"
61	Key – Output Shaft	FH0095	2	1/2" SQ x 3 1/4"
62	Lock Nut	FJ9306	1	N-06 Lock Nut
63	Lock Washer	FJ9466	1	TW106 Lock Washer
73	Oil Plug – Gear Case	FK0510	4	SOC HD PP 3/4 w/SLNT
76	Oil Plug – Bearing Cap	FK0104	2	1/4 NPT SQ HD Solid PP
77	Vent Plug (Shipped Loose)	FK3011	1	3/4 NPT SQ HD Vented PP
78	Socket Head Cap Screw – Bearing Cap – Input	FJ3667	8	1/2 - 13 x 1 1/4 SOC HD CS
80	Socket Head Cap Screw – Motor Adapter	FJ3667	4	1/2 - 13 x 1 1/4 SOC HD CS
81	Lock Washer – Motor Adapter Flange	FJ9506	4	3/8 Split
82	Hex Head Cap Screw – Motor – 180/250	FJ4667	4	1/2 - 13 x 1 1/4 HX HD CS
83	Lock Washer – Motor – 180/250	FJ9508	4	1/2 Split
90	Hex Head Cap Screw – Bearing Cap - Output	FJ4668	16	1/2 - 13 x 1 1/2 HX HD CS
98	Socket Set Screw – Output Shaft	FJ1658	4	SOC HSS 1/2 – 13 x 3/8 CUP
99	Socket Set Screw – Output Shaft - Key	FJ1464	2	SOC HSS 1/4 - 28 x 1/4 CUP
	Name Plate	FN0170	1	

A Regal Brand

**REGAL**

www.regalbeloit.com