



**Part List for
3.75 Center Distance
Style "U"**

Power Transmission Solutions
Regal Beloit America, Inc.
7120 New Buffington Road
Florence, KY 41042
Application Engineering: 800 626 2093
www.RegalPTS.com

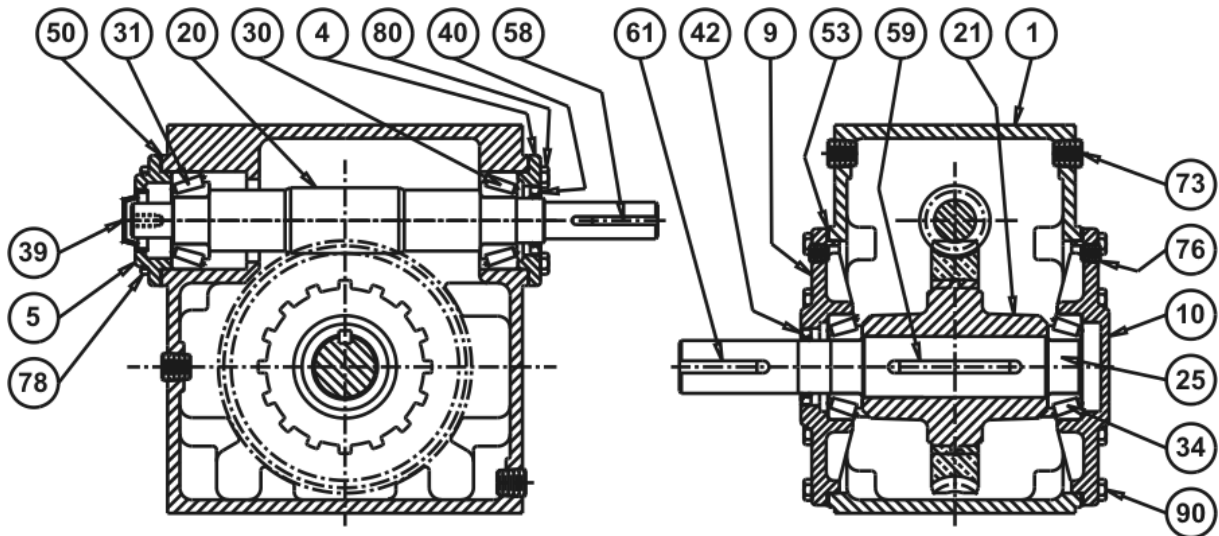
FORM
8844E
Revised
January 2016

⚠ WARNING

- Read and follow all instructions carefully.
- Disconnect and lock-out power before installation and maintenance. Working on or near energized equipment can result in severe injury or death.
- Do not operate equipment without guards in place. Exposed equipment can result in severe injury or death.

⚠ CAUTION

- Periodic inspections should be performed. Failure to perform proper maintenance can result in premature product failure and personal injury.



A Regal Brand

REGAL

Item No.	Description	Part No.	No. Req'd	Additional Description
1	Gear Case	KJ0002	1	
4	Bearing Cap – Input – Front – Open	KJ0025	1	
5	Bearing Cap – Input – Rear - Open	KJ0144	1	
9	Bearing Cap – Output – Open	KJ0028	1	
10	Bearing Cap – Output – Closed	KJ0027	1	
20	Worm Shaft – 10:1	KJ1036	1	
	Worm Shaft – 15:1	KJ1037		
	Worm Shaft – 20:1	KJ1038		
	Worm Shaft – 25:1	KJ1039		
	Worm Shaft – 30:1	KJ1040		
	Worm Shaft – 40:1	KJ1041		
	Worm Shaft – 50:1	KJ1042		
	Worm Shaft – 60:1	KJ1043		
21	Worm Wheel – 10:1	KJ1050	1	
	Worm Wheel – 15:1	KJ1051		
	Worm Wheel – 20:1	KJ1052		
	Worm Wheel – 25:1	KJ1053		
	Worm Wheel – 30:1	KJ1054		
	Worm Wheel – 40:1	KJ1055		
	Worm Wheel – 50:1	KJ1056		
	Worm Wheel – 60:1	KJ1057		
25	Shaft – Output – Single	KJ0032	1	
	Shaft – Output – Double	KJ0033		
30	Bearing – Input – Front - Cup	FF0235	1	HM89410
	Bearing – Input – Front - Cone	FF0236		HM89449
31	Bearing – Input – Rear - Cup	FF0148	1	M88010
	Bearing – Input – Rear - Cone	FF0150		M88048
34	Bearing – Output - Cup	FF0161	2	LM501310
	Bearing – Output - Cone	FF0162		LM501349
39	Bore Plug	FG3032	1	206 RCP
40	Oil Seal – Input – Front	FG0213	1	473205
42	Oil Seal – Output	FG0142	1	473230
50	Shim Set Input	FI0326	2	
		FI0327	2	
		FI0328	2	
53	Shim Set Output	FI0829	2	0.005 thickness
		FI0830	2	0.007 thickness
		FI0831	2	0.020 thickness
58	Key – Input Shaft	FH0021	1	1/4 SQ x 1 3/4"
59	Key – Worm Wheel	FH0039	1	3/8 SQ x 3 1/2"
63	Lock Washer	FJ9466	1	TW106 Lock Washer
73	Oil Plug – Gear Case	FK0504	4	SOC HD PP 1/4 w/3MPAS
76	Oil Plug – Bearing Cap	FK0104	2	1/4 NPT SQ HD Solid PP
77	Vent Plug (Shipped Loose)	FK3006	1	1/4 NPT SQ HD Vented PP
78	Hex Head Cap Screw – Bearing Cap – Input	FJ4567	4	3/8 - 16 x 1 1/4 HX HD CS
79	Lock Washer – Bearing Cap – Input	FJ9506	4	3/8 Split
80	Hex Head Cap Screw – Bearing Cap -	FJ3567	4	3/8 - 16 x 1 1/4 HX HD CS
81	Lock Washer – Motor Adapter Flange	FJ9506	4	3/8 Split
90	Hex Head Cap Screw – Bearing Cap - Output	FJ4667	8	1/2 – 13 x 1 1/4 HX HD CS
91	Lock Washer – Bearing Cap - Output	FJ9508	8	1/2 Split
	Name Plate	FN0147	1	

A Regal Brand

REGAL

www.regalbeloit.com