



**Part List for
5.16 Center Distance
Style "U"**

Power Transmission Solutions
Regal Beloit America, Inc.
7120 New Buffington Road
Florence, KY 41042
Application Engineering: 800 626 2093
www.RegalPTS.com

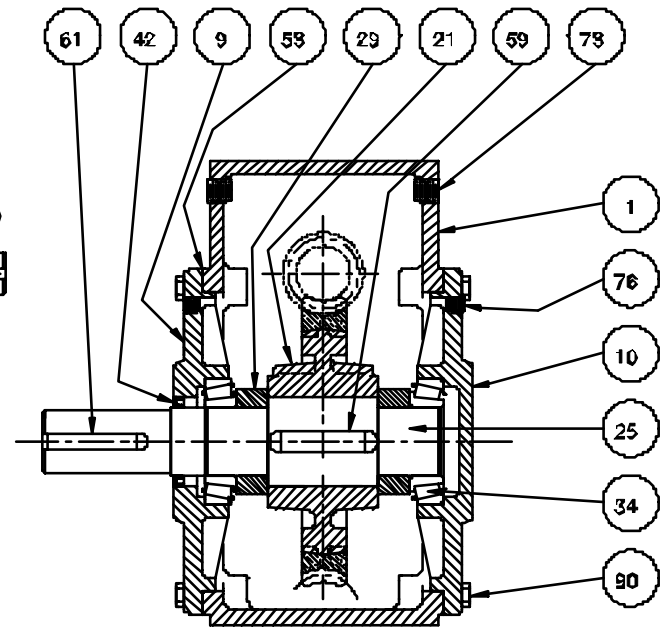
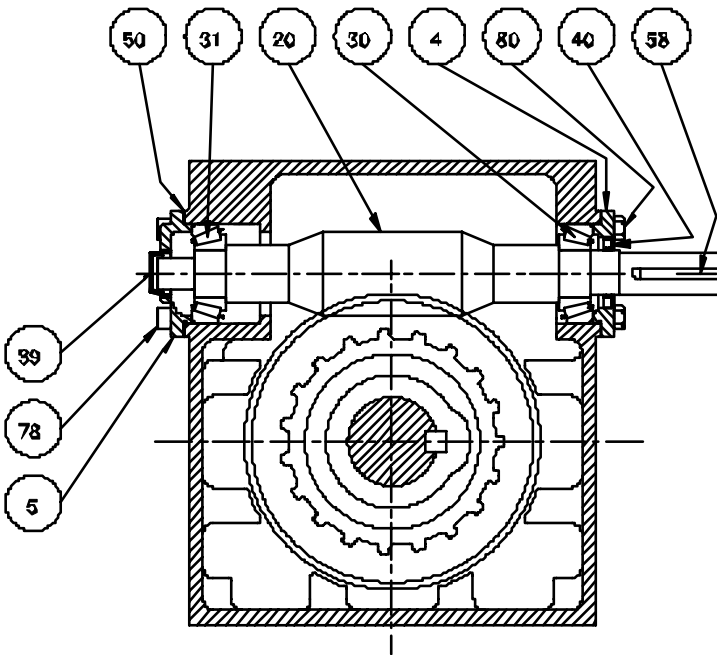
FORM
8846E
Revised
January 2016

⚠ WARNING

- Read and follow all instructions carefully.
- Disconnect and lock-out power before installation and maintenance. Working on or near energized equipment can result in severe injury or death.
- Do not operate equipment without guards in place. Exposed equipment can result in severe injury or death.

⚠ CAUTION

- Periodic inspections should be performed. Failure to perform proper maintenance can result in premature product failure and personal injury.



A Regal Brand

REGAL

Item No.	Description	Part No.	No. Req'd	Additional Description
1	Gear Case	KL0002	1	
4	Bearing Cap – Input – Front – Open	KJ0025	1	
5	Bearing Cap – Input – Rear - Open	KL0144	1	
9	Bearing Cap – Output – Open	KL0028	1	
10	Bearing Cap – Output – Closed	KL0027	1	
20	Worm Shaft – 10:1 Worm Shaft – 15:1 Worm Shaft – 20:1 Worm Shaft – 25:1 Worm Shaft – 30:1 Worm Shaft – 40:1 Worm Shaft – 50:1 Worm Shaft – 60:1	KL0036 KL0037 KL0038 KL0039 KL0040 KL0041 KL0042 KL0043	1	
21	Worm Wheel – 10:1 Worm Wheel – 15:1 Worm Wheel – 20:1 Worm Wheel – 25:1 Worm Wheel – 30:1 Worm Wheel – 40:1 Worm Wheel – 50:1 Worm Wheel – 60:1	KL0050 KL0051 KL0052 KL0053 KL0054 KL0055 KL0056 KL0057	1	
25	Shaft – Output – Single Shaft – Output – Double	KL0032 KL0033	1	
30	Bearing – Input – Front - Cup Bearing – Input – Front - Cone	FF0235 FF0236	1	HM89410 HM89449
31	Bearing – Input – Rear - Cup Bearing – Input – Rear - Cone	FF0235 FF0236	1	HM89410 HM89449
34	Bearing – Output - Cup Bearing – Output - Cone	FF0038 FF0039	2	3720 3780
39	Bore Plug	FG3032	1	206 RCP
40	Oil Seal – Input – Front	FG0606	1	471192
42	Oil Seal – Output	FG0051	1	472924
50	Shim Set Input	FI0325 FI0326 FI0327 FI0328	2 2 2 2	
53	Shim Set Output	FI0845 FI0846 FI0847	2 2 2	0.005 thickness 0.007 thickness 0.010 thickness
58	Key – Input Shaft	FH0078	1	1/4 SQ x 2 1/2"
59	Key – Worm Wheel	FH0053	1	5/8 SQ x 3 1/2"
61	Key – Output	FH0046	1	1/2" SQ x 2 11/16"
73	Oil Plug – Gear Case	FK0510	4	SOC HD PP 3/4 w/slnt
76	Oil Plug – Bearing Cap	FK0104	2	1/4 NPT SQ HD Solid PP
77	Vent Plug (Shipped Loose)	FK3011	1	3/4 NPT SQ HD Vented PP
78	Hex Head Cap Screw – Bearing Cap – Input	FJ4567	8	3/8 - 16 x 1 1/4 HX HD CS
90	Hex Head Cap Screw – Bearing Cap - Output	FJ4567	16	3/8 – 16 x 1 1/4 HX HD CS
	Name Plate	FN0170	1	

A Regal Brand

REGAL

www.regalbeloit.com