



**Part List for  
4.50 Center Distance  
Style "UH"**

**Power Transmission Solutions**  
Regal Beloit America, Inc.  
7120 New Buffington Road  
Florence, KY 41042  
Application Engineering: 800 626 2093  
www.RegalPTS.com

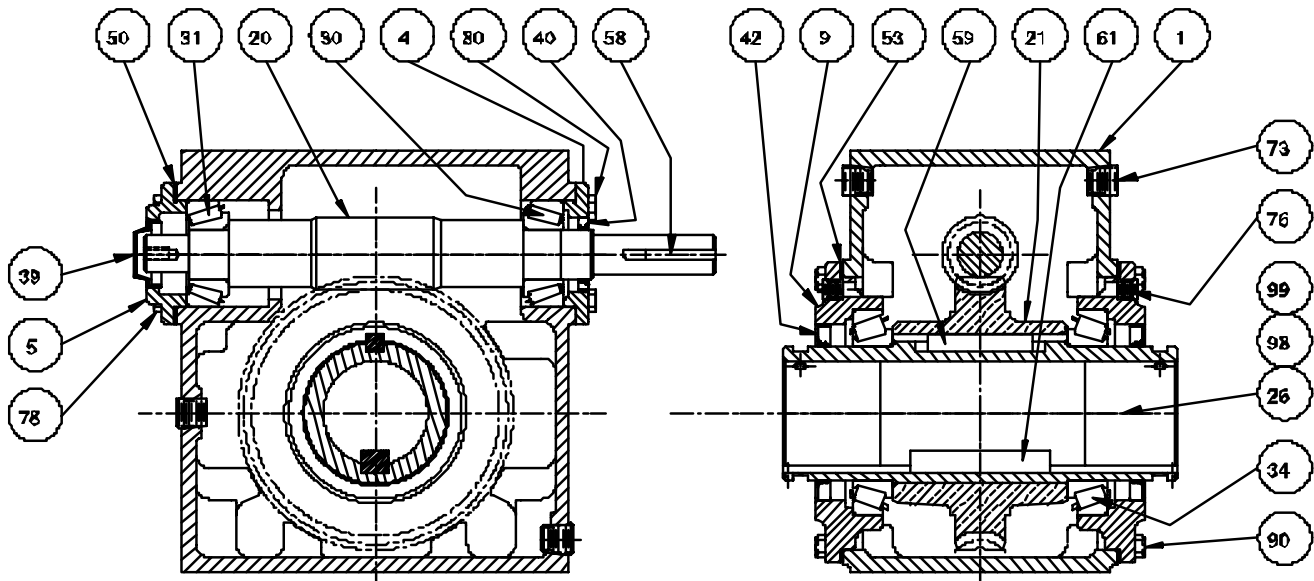
**FORM**  
**8857E**  
**Revised**  
**January 2016**

**⚠ WARNING**

- Read and follow all instructions carefully.
- Disconnect and lock-out power before installation and maintenance. WorkKng on or near energized equipment can result in severe injury or death.
- Do not operate equipment without guards in place. Exposed equipment can result in severe injury or death.

**⚠ CAUTION**

- Periodic inspections should be performed. Failure to perform proper maintenance can result in premature product failure and personal injury.



A Regal Brand

**REGAL**

Item No.	Description	Part No.	No. Req'd	Additional Description
1	Gear Case	KK0002	1	
4	Bearing Cap – Input – Front	KK0025	1	
5	Bearing Cap – Input – Rear	KK0144	1	
9	Bearing Cap – Output – Open	KK0030	2	
20	Worm Shaft – 10:1 Worm Shaft – 15:1 Worm Shaft – 20:1 Worm Shaft – 25:1 Worm Shaft – 30:1 Worm Shaft – 40:1 Worm Shaft – 50:1 Worm Shaft – 60:1	KK0036 KK0037 KK0038 KK0039 KK0040 KK0041 KK0042 KK0043	1	
21	Worm Wheel – 10:1 Worm Wheel – 15:1 Worm Wheel – 20:1 Worm Wheel – 25:1 Worm Wheel – 30:1 Worm Wheel – 40:1 Worm Wheel – 50:1 Worm Wheel – 60:1	KK0114 KK0115 KK0116 KK0117 KK0118 KK0119 KK0120 KK0121	1	
26	Shaft – Output – Hollow	KK0101	1	
30	Bearing – Input – Front – Cup Bearing – Input – Front – Cone	FF0235 FF0236	1	HM89410 HM89449
31	Bearing – Input – Rear – Cup Bearing – Input – Rear – Cone	FF0235 FF0236	1	HM89410 HM89449
34	Bearing – Output – Cup Bearing – Output – Cone	FF0102 FF0322	2	42584 42381
39	Bore Plug	FG3032	1	206 RCP
40	Oil Seal – Input – Front	FG0606	1	471192
42	Oil Seal – Output	FG0203	2	37526
50	Shim Set – Input	FI0326 FI0327 FI0328	2 2 2	
53	Shim Set – Output	FI0837 FI0838 FI0839	2 2 2	0.005 thickness 0.007 thickness 0.020 thickness
58	Key – Input Shaft	FH0022	1	1/4" SQ x 2"
59	Key – Worm Wheel	FH0047	1	1/2" SQ x 3"
61	Key – Output Shaft	FH0321	1	5/8" x 3/4" x 4"
73	Oil Plug – Gear Case	FK0508	5	SOC HD PP 1/2
76	Pipe Plug Cover	FK0104	2	1/4 NPT SQ HD Solid PP
77	Vent Plug (Shipped Loose)	FK3010	1	1/2 SQ HD
78	Cap Screw – Input Cover – Rear	FJ4567	4	3/8 – 16 x 1 1/4 HX HD CS
80	Cap Screw – Input Cover – Front	FJ4567	4	3/8 – 16 x 1 1/4 HX HD CS
90	Hex Head Cap Screw – Bearing Cap	FJ4567	16	3/8 – 16 x 1 1/4 HX HD CS
98	Socket Set Screw – Output Shaft	FJ1657	4	SOC HSS 1/2 – 13 x 3/8 Cup
99	Socket Set Screw – Output Shaft Key	FJ1452	2	SOC HSS 1/4 - 28 x 1/4 Cup
	Name Plate	FN0170	1	

A Regal Brand

**REGAL**

www.regalbeloit.com