



**Part List for
5.16 Center Distance
Style "UH"**

Power Transmission Solutions
Regal Beloit America, Inc.
7120 New Buffington Road
Florence, KY 41042
Application Engineering: 800 626 2093
www.RegalPTS.com

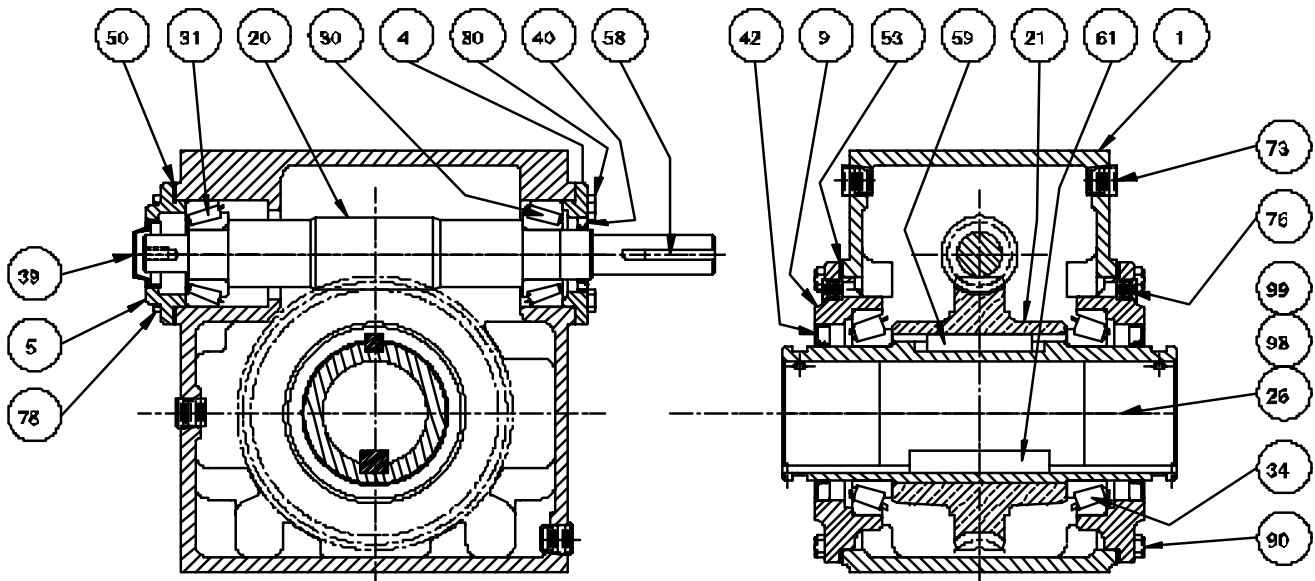
FORM
8858E
Revised
January 2016

⚠ WARNING

- Read and follow all instructions carefully.
- Disconnect and lock-out power before installation and maintenance. WorkKng on or near energized equipment can result in severe injury or death.
- Do not operate equipment without guards in place. Exposed equipment can result in severe injury or death.

⚠ CAUTION

- Periodic inspections should be performed. Failure to perform proper maintenance can result in premature product failure and personal injury.



A Regal Brand

REGAL

Item No.	Description	Part No.	No. Req'd	Additional Description
1	Gear Case	KL0002	1	
4	Bearing Cap – Input – Front	KJ0025	1	
5	Bearing Cap – Input – Rear	KK0144	1	
9	Bearing Cap – Output – Open	KL0030	2	
20	Worm Shaft – 10:1	KL0036	1	
	Worm Shaft – 15:1	KL0037		
	Worm Shaft – 20:1	KL0038		
	Worm Shaft – 25:1	KL0039		
	Worm Shaft – 30:1	KL0040		
	Worm Shaft – 40:1	KL0041		
	Worm Shaft – 50:1	KL0042		
	Worm Shaft – 60:1	KL0043		
21	Worm Wheel – 10:1	KL0114	1	
	Worm Wheel – 15:1	KL0115		
	Worm Wheel – 20:1	KL0116		
	Worm Wheel – 25:1	KL0117		
	Worm Wheel – 30:1	KL0118		
	Worm Wheel – 40:1	KL0119		
	Worm Wheel – 50:1	KL0120		
	Worm Wheel – 60:1	KL0121		
26	Shaft – Output – Hollow	KL0101	1	
30	Bearing – Input – Front – Cup	FF0235	1	HM89410
	Bearing – Input – Front – Cone	FF0236		HM89449
31	Bearing – Input – Rear – Cup	FF0235	1	HM89410
	Bearing – Input – Rear – Cone	FF0236		HM89449
34	Bearing – Output – Cup	FF0184	2	JM822010
	Bearing – Output – Cone	FF0185		JM822049
39	Bore Plug	FG3032	1	206 RCP
40	Oil Seal – Input – Front	FG0606	1	471192
42	Oil Seal – Output	FG0204	2	42419
50	Shim Set – Input	FI0326	2	
		FI0327	2	
		FI0328	2	
53	Shim Set – Output	FI0845	2	0.005 thickness
		FI0846	2	0.007 thickness
		FI0847	4	0.010 thickness
58	Key – Input Shaft	FH0078	1	1/4" SQ x 2 1/2"
59	Key – Worm Wheel	FH0047	1	1/2" SQ x 3"
61	Key – Output Shaft	FH0320	1	11/16" x 7/8" x 4 1/2"
73	Oil Plug – Gear Case	FK0510	4	SOC HD PP 3/4w/slnt
76	Pipe Plug Cover	FK0104	2	1/4 NPT SQ HD Solid PP
77	Vent Plug (Shipped Loose)	FK3011	1	3/4 NPT SQ HD
78	Cap Screw – Input Cover – Rear	FJ4567	4	3/8 – 16 x 1 1/4 HX HD CS
80	Cap Screw – Input Cover – Front	FJ4567	4	3/8 – 16 x 1 1/4 HX HD CS
90	Hex Head Cap Screw – Bearing Cap	FJ4567	16	3/8 – 16 x 1 1/4 HX HD CS
98	Socket Set Screw – Output Shaft	FJ1657	4	SOC HSS 1/2 – 13 x 3/8 Cup
99	Socket Set Screw – Output Shaft Key	FJ1452	2	SOC HSS 1/4 - 28 x 1/4 Cup
	Name Plate	FN0170	1	

A Regal Brand

REGAL

www.regalbeloit.com