

⚠ WARNING

- Read and follow all instructions carefully.
- Disconnect and lock-out power before installation and maintenance. Working on or near energized equipment can result in severe injury or death.
- Do not operate equipment without guards in place. Exposed equipment can result in severe injury or death.

⚠ CAUTION

- Periodic inspections should be performed. Failure to perform proper maintenance can result in premature product failure and personal injury.



Transition Facts

REPLACEMENT GUIDE			
Series 2000	Gear Ratio Band	Series 3000	Comments
1701	1.6 to 6.3:1	3001	MT, SF, DSH
1702	7.1 to 31.5:1	3012	MT,SF, DSH
1703	35.5 to 160:1	3013	MT,SF, DSH
2002	4 to 6.3:1	3001	LT,DF, LS
	7.1 to 31.5:1	3012	MT,DF,SS
2101	1.25 to 5.6:1	3101	MT,SF, SS
2102	4 to 25:1	3122	ST,SF,DSH
2103	28 to 50:1	3132	MT,SF,DSH
	56 to 125:1	3133	MT,SF,DSH
2201	1.25 to 5.6:1	3201	MT,SF,SS
2202	4 to 25:1	3242	ST,SF,DSH
	28:1		
2203	31.5 to 50:1	3253	MT,SF,DSH
	56 to 112:1		
2204	125 to 200	3253	MT,SF,DSH
	224 to 500		
2301	1.25 to 5.6:1	3301	ST,SF,SS
2302	4 to 8:1	3362	ST,SF,DSH
	9 to 28:1	3372	MT,SF,DSD
2303	31.5 to 40:1	3363	MT,SF,DSH
	45 to 160:1		
2304	180 to 200	3374	MT,SF,DSD
	224 to 500		
2401	Any	3401	ST,SF,SS
2402	Any		
2403	45 & 50	3482	MT,SF,DSD
	56 to 160		
2501	Any	3501	ST,SF,SS
2502	Any		
2503	45 & 50	3592	MT,SF,DSH
	56 to 160		
2602	3.15 to 31.5	3602	MT,SF,DSH
	35.5 to 50		
2603	56 to 160	3603	MT,SF,DSH
	180 to 250		
2604(A)	180 to 250		
2702	3.15 to 31.5	3732	MT,SF,DSD
2703	35.5 to 50	3733	MT,SF,DSD
	56 to 160		
2704(A)	180 to 250		
2803	5 to 7.1	3832	MT, SF, DSD, NR
	8 to 45:1		
	50 to 125:1		
2805A	140 to 224:1	3833	MT, SF, DSD
	250 to 1000		
2806A	1000 to 1400	3834	MT, SF, DSD
	1600 to 4000:1		

Comment Key
 MT = More Capacity LS = Same "D" & "U", Longer "V"
 ST = Similar Capacity SS = Same "D" & "U"
 LT = Lower Capacity DSH = Same "U", Higher "D"
 SF = Same Footprint DSD = Larger "U", Higher "D"
 DF = Different Footprint

Footprint & Shaft Details

Multiple Reduction

Gear Frame	Δ U Series 3000 vs 2000 (inches)				
	D	E	2F	U	V
30 vs 17	+ .15"	Same	Same	Same	Same
30 vs 20	Same	+ .29"	+ .78"	Same	+ .25"
31 vs 21	+ .39"	Same	Same	Same	Same
32 vs 22	+ .59"	Same	Same	Same	Same
336x vs 23	+ .59"	Same	Same	Same	Same
337x vs 23	+ .59"	Same	Same	+ .125"	+ .15"
34 vs 24	+ .79"	Same	Same	+ .375"	Same
35 vs 25	+ .99"	Same	Same	Same	Same
36 vs 26	+ .99"	Same	Same	Same	Same
37 vs 27	+ 2.56"	Same	Same	+ .125"	Same
38 vs 28	+ 1.58"	Same	Same	+ .375"	+ 2.00"

Single Reduction

Gear Frame	Δ U Series 3000 vs 2000 (inches)				
	D	E	2F	U	V
30 vs 17	+ .15"	Same	Same	Same	Same
31 vs 21	Same	Same	Same	Same	Same
32 vs 22	Same	Same	Same	Same	Same
33 vs 23	Same	Same	Same	Same	Same
34 vs 24	Same	Same	Same	Same	Same
35 vs 25	Same	Same	Same	Same	Same

Finished Goods Length

Gear Frame	Three (3) Phase Gearmotors				C-Face	
	56 or 143/145T	182 184T	213 215T	254 256T	56 140TC	180 210TC
30 vs 17	-.60"				-.97"	
30 vs 20	-1.19"				-2.31"	
31 vs 21	-.10"				-.63"	
32 vs 22	-.34"	-.37"			-1.01"	-.52"
336x vs 23	-1.46"	-1.69"	-1.89"		+ .04"	+ .56"
337x vs 23	-1.31"	-1.54"	-1.74"		+ .19"	+ .71"
34 vs 24	-.74"	-.86"	-.77"	-.68"	+ .70"	+ 1.42"
35 vs 25	-.45"	-.58"	-1.23"	-1.78"	-.92"	-.94"

Enhancements Of Series 3000

- Generally 25-35% more torque capacity per box size will deliver longer replacement life through higher mechanical S.F.
- C-Face are quill designs, eliminating couplings and have non-metallic liner to eliminate fretting.
- Most 3 phase gear motors are suitable for inverter use.
- C-Face reducers have added breather locations for better "motor-high" mounting.
- Units shipped with output shaft key.
- Now offer average of 3 times the optional flange sizes.
- Some ratios achieved with less stages of gearing.
- Top mount designs available on size 32 and larger.
- Backstop option available on C-Face reducers > size 30.
- All input oil seals on high speed shafts are accessible for service without opening gearcase.

A Regal Brand

REGAL

CbN Series 3000



Competitive Facts At a Glance

Capacity Summary - Competition

Double Reduction Gearing

Manufacturer	Browning®	SEW® **	Dodge®	Falk®	Nord®	Boston®
Product Name	CbN 3000	R "7" Series	Quantis	Ultramite	Unicase	800 Series
Frame Sizes	3012	17	38	201	02	832
	3122	27		202	12	842
	3132	37		203	22	862
	3242	47	204			
	3252	57	48	205	32	872
	3362	67		206		
	3372	77	68	207	42	No available product from this competitor
	3482	87		88	208	
	3592	97	108	09	62	
	3602	107	128	10	72	
	3732	137	148		82	
	3842	147	168		92	

Capacity Increasing ↓

Triple Reduction Gearing

Manufacturer	Browning®	SEW® **	Dodge®	Falk®	Nord®	Boston®
Product Name	CbN 3000	R "7" Series	Quantis	Ultramite	Unicase	800 Series
Frame Sizes	3013	17	38	201	03	833
	3133	27		202	13	843
		37		203		
	3253	47	48	204	23	863
		57		205		
	3363	67	68	206	33	No available product from this competitor
	3373	77		207	43	
	3483	87	88	208	53	
	3593	97	108	09	53	
	3603	107	128	10	73	
	3733	137	148		83	
	3843	147	168		93	

Capacity Increasing ↓

**SEW uses triple reduction >28:1 ration No available product from this competitor
 Shaded sites not available as a reducer

Key Browning Competitive Advantages

Features:

- All gears factory filled with synthetic oil
- Motors of gearmotors use modular connection to gear
- Non-XP 3 phase motors use AllGuard Insulation
- Inverter duty motors meet NEMA MG1 Part 31
- Size 31 to 35 use normally closed breathers

Benefits:

- Superior lubrication
- Less cost and downtime
- Higher dielectric strength
- 3 year motor warranty
- Reduces maintenance

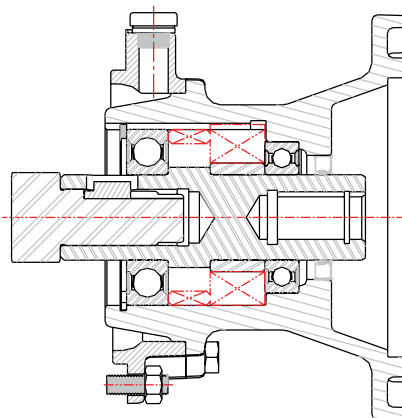
The trade names, trademarks and/or registered trademarks that follow are used in this material by Regal Beloit America Inc. for comparison purposes, are NOT owned or controlled by Regal Beloit America Inc. and are believed to be owned by the parties identified: SEW: SEW-Eurodrive GMBH & Co.; Dodge and Quantis: Reliance Electric Company; Falk and Ultramite: Rexnord Industries, Inc.; Nord and Unicase: Nord Gear Corporation; Boston and 800 Series: IMO Industries Inc. Regal Beloit America Inc. cannot and does not represent or warrant the accuracy of this information.

Series 3000 Flange Summary

Gear Frame	Gear Stages	Flange Type By OD Ø												
		Inches	Millimeters											
			6.5"	120	140	160	200	250	300	350	400	450	550	660
30	1	56C	BD1	BS	BD2	BD3	-	-	-	-	-	-	-	-
	2 or 3	56C	BD1	BS	BD2	BD3	-	-	-	-	-	-	-	-
31	1	-	-	BD2	BS	-	-	-	-	-	-	-	-	-
	2 or 3	-	BD3	BD2	BD1	BS	-	-	-	-	-	-	-	-
32	1	-	-	-	BD2	BS	-	-	-	-	-	-	-	-
	2 or more	-	-	-	BD2	BD1	BS	-	-	-	-	-	-	-
33	1	-	-	-	-	BD2	BS	-	-	-	-	-	-	-
	2 or more	-	-	-	-	BD2	BD1	BS	-	-	-	-	-	-
34	1	-	-	-	-	-	BD2	BS	-	-	-	-	-	-
	2 or more	-	-	-	-	-	BD2	BD1	BS	-	-	-	-	-
35	1	-	-	-	-	-	-	BD2	BS	-	-	-	-	-
	2 or more	-	-	-	-	-	-	BD2	BD1	BS	-	-	-	-
36 & 37	2 or more	-	-	-	-	-	-	-	-	-	-	BD1	BS	-
38	2 & 3	-	-	-	-	-	-	-	-	-	-	-	BD1	BS

BOLD = New with Series 3000

The New Quill Style C-Face



- Has a liner to prevent fretting with motor shaft.
- Eliminates coupling wear and replacement.
- Shortens overall length.
- Allows use with DC and Servo motors with like diameters.
- Can be equipped with backstop.
- Transmits torque through metal key and keyway.

APPLICATION CONSIDERATIONS

The proper selection and application of power transmission products and components, including the related area of product safety, is the responsibility of the customer. Operating and performance requirements and potential associated issues will vary appreciably depending upon the use and application of such products and components. The scope of the technical and application information included in this publication is necessarily limited. Unusual operating environments and conditions, lubrication requirements, loading supports, and other factors can materially affect the application and operating results of the products and components and the customer should carefully review its requirements. Any technical advice or review furnished by Regal Beloit America, Inc. and its affiliates with respect to the use of products and components is given in good faith and without charge, and Regal assumes no obligation or liability for the advice given, or results obtained, all such advice and review being given and accepted at customer's risk.

For a copy of our Standard Terms and Conditions of Sale, Disclaimers of Warranty, Limitation of Liability and Remedy, please contact Customer Service at 1-800-626-2120. These terms and conditions of sale, disclaimers and limitations of liability apply to any person who may buy, acquire or use a Regal Beloit America Inc. product referred to herein, including any person who buys from a licensed distributor of these branded products.

Browning is a trademark of Regal Beloit Corporation or one of its affiliated companies.

©2015 Regal Beloit Corporation, All Rights Reserved. MCTD15012E • Form 9056E • Printed in USA

A Regal Brand

REGAL

www.regalbeloit.com