

ELECTRONICALLY CONTROLLED 2-SPEED AUTOMATIC TRANSMISSION

**Airport Ground
Support Vehicles**



Industrial Quality
Drop-In Replacement for
Ford® C6 Transmission

Velvet Drive®
TRANSMISSIONS

"Leaders in Industrial and Marine Transmissions"

New
Two-Speed,
Automatic
Transmissions
Featuring
Field Proven
Technology

ELECTRONICALLY CONTROLLED



**Industrial Quality
Interchangeable Installation
with Ford® C6 Transmission**

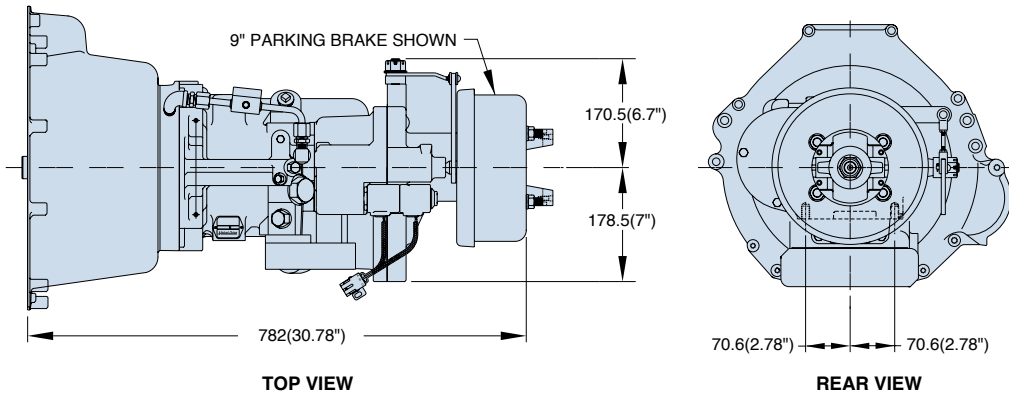
S STANDARD FEATURES AND BENEFITS

- ◆ Torque converter driven transmission
- ◆ Detachable bell-housing – easy fitting of bell-housings for alternative engines
- ◆ All helical gearing for quieter operation
- ◆ All cast iron housings for strength and maximizing wheel traction
- ◆ Gears and shafts of case-hardened and tempered high tensile SAE 8620 steel
- ◆ Oil immersed multi-plate clutches for smooth engagement
- ◆ Output shaft coupling to suit Dana I410 series carden shaft
- ◆ Easy serviceable external mounted weatherproof hydraulic solenoid valves
- ◆ Removable oil pan with drain plug and internal strainer
- ◆ Allows use of modified standard C6 morse gear selector
- ◆ No forward or reverse engagement while vehicle is moving
- ◆ No forward or reverse engagement if accelerator is pressed

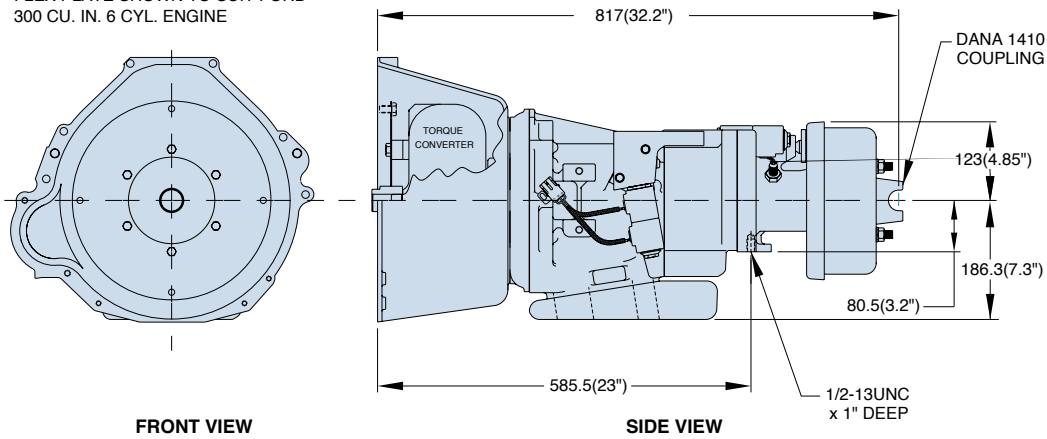
O PTIONS

- ◆ Bell housings for popular alternative gasoline and diesel engines
- ◆ 9” parking drum brake driven by output shaft
- ◆ Rear extension housing as alternative to parking brake
- ◆ Torque converter with 2.8:1 stall ratio
- ◆ First gear ratio 1.75:1
- ◆ Programmable maximum vehicle speed limiter, no need for governed engine
- ◆ Starter engagement protection – no engagement when engine is running

DIMENSIONAL DRAWINGS



BELL HOUSING & TORQUE CONVERTER
FLEX PLATE SHOWN TO SUIT FORD®
300 CU. IN. 6 CYL. ENGINE

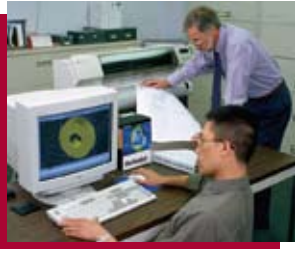


Designed
Specifically For
Rigorous Use
In Ground
Support
Equipment

(also adaptable for
other applications)

SPECIFICATIONS

- ◆ Heavy duty Borg-Warner designed 11" torque converter – 2.3:1 stall ratio
- ◆ Two forward ratios – 1.47:1 and 1:1
- ◆ Maximum input power up to 115 hp
- ◆ Maximum input speed up to 3000 rev/min
- ◆ 12 volt electronic control system
- ◆ Dry weight 290 lbs



State-of-the-art software enables Velvet Drive to quickly identify design solutions.



High-tech CNC machinery insures accuracy and quality of the final product.



Flexible CNC machining centers allow for minimal lead times on products.



Velvet Drive offers the latest CNC gear hobbing and gear grinding in the industry.



Quality department and testing facilities that meet or exceed today's most stringent guidelines.

Velvet Drive®
T R A N S M I S S I O N S

www.velvetdrive.com



3306V-NZ/10-01/3M-IN