



**Parts List for
6.00 Center Distance
Style "Q"**

Power Transmission Solutions
Regal Beloit America, Inc.
7120 New Buffington Road
Florence, KY 41042
Application Engineering: 800 626 2093
www.RegalPTS.com

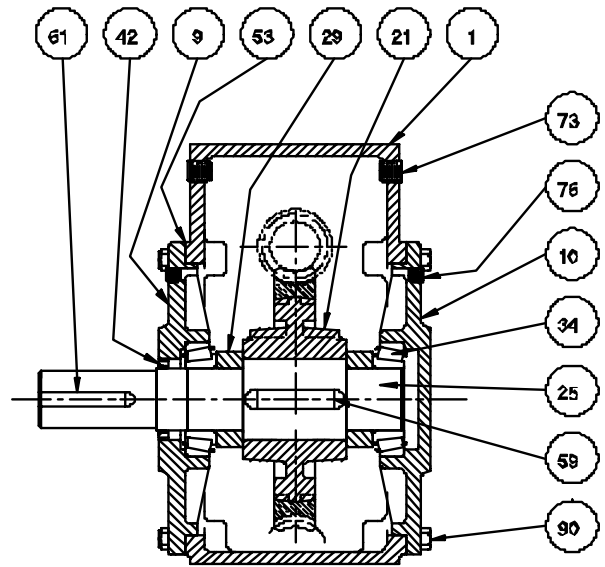
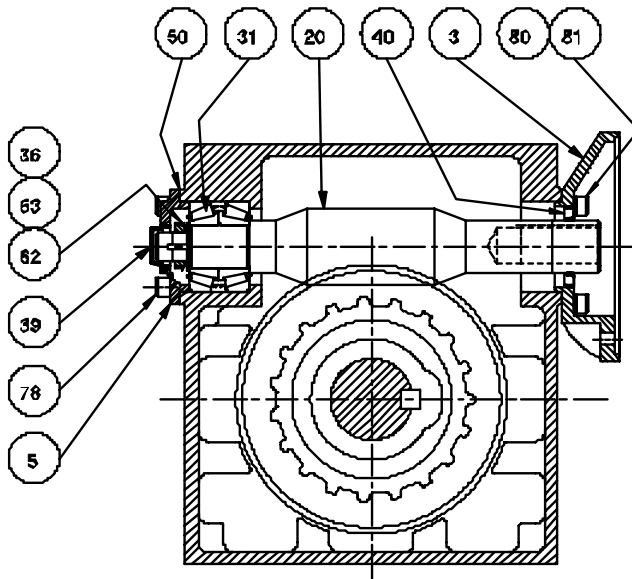
FORM
8823E
Revised
January 2016

⚠ WARNING

- Read and follow all instructions carefully.
- Disconnect and lock-out power before installation and maintenance. Working on or near energized equipment can result in severe injury or death.
- Do not operate equipment without guards in place. Exposed equipment can result in severe injury or death.

⚠ CAUTION

- Periodic inspections should be performed. Failure to perform proper maintenance can result in premature product failure and personal injury.



A Regal Brand

REGAL

Item No.	Description	Part No.	No. Req'd	Additional Description
1	Gear Case	KM0002	1	
3	Motor Flange Adapter – 184TC/215TC	KM0142	1	
5	Bearing Cap – Input – Rear - Open	KM0144	1	
9	Bearing Cap – Output – Open	KM0028	1	
10	Bearing Cap – Output – Closed	KM0027	1	
20	Worm Shaft – 5:1 – 1 1/8" Bore	KM0081	1	
	Worm Shaft – 10:1 – 1 1/8" Bore	KM0083		
	Worm Shaft – 15:1 – 1 1/8" Bore	KM0084		
	Worm Shaft – 20:1 – 1 1/8" Bore	KM0085		
	Worm Shaft – 25:1 – 1 1/8" Bore	KM0086		
	Worm Shaft – 30:1 – 1 1/8" Bore	KM0087		
	Worm Shaft – 40:1 – 1 1/8" Bore	KM0088		
	Worm Shaft – 50:1 – 1 1/8" Bore	KM0089		
	Worm Shaft – 60:1 – 1 1/8" Bore	KM0090		
	Worm Shaft – 5:1 – 1 3/8" Bore	KM0091		
	Worm Shaft – 10:1 – 1 3/8" Bore	KM0093		
	Worm Shaft – 15:1 – 1 3/8" Bore	KM0094		
	Worm Shaft – 20:1 – 1 3/8" Bore	KM0095		
	Worm Shaft – 25:1 – 1 3/8" Bore	KM0096		
	Worm Shaft – 30:1 – 1 3/8" Bore	KM0097		
	Worm Shaft – 40:1 – 1 3/8" Bore	KM0098		
	Worm Shaft – 50:1 – 1 3/8" Bore	KM0099		
	Worm Shaft – 60:1 – 1 3/8" Bore	KM0100		
21	Worm Wheel – 5:1	DR0129	1	
	Worm Wheel – 10:1	DR0131		
	Worm Wheel – 15:1	DR0132		
	Worm Wheel – 20:1	DR0133		
	Worm Wheel – 25:1	DR0134		
	Worm Wheel – 30:1	DR0135		
	Worm Wheel – 40:1	DR0136		
	Worm Wheel – 50:1	DR0137		
	Worm Wheel – 60:1	DR0138		
25	Shaft – Output – Single	KM0032	1	
	Shaft – Output – Double	KM0033		
31	Bearing – Input – Rear – Cup	FF0177	2	HM803110
	Bearing – Input – Rear – Cone	FF0323		HM803146
34	Bearing – Output – Cup	FF0098	2	39520
	Bearing – Output – Cone	FF0099		39585
36	Support Washer	FI9486	1	K91506
39	Bore Plug	FG3033	1	237 RCP
40	Oil Seal – Input – Front	FG0214	1	473242
42	Oil Seal – Output	FG0197	1	470565
50	Shim Set Input	FI0849	2	0.005 thickness
		FI0850	2	0.007 thickness
		FI0851	2	0.020 thickness
53	Shim Set – Output	FI0853	2	0.005 thickness
		FI0854	2	0.007 thickness
		FI0855	4	0.020 thickness
59	Key – Worm Wheel	FH0163	1	3/4" x 3"
61	Key – Output Shaft	FH0095	1	1/2" SQ. x 3 1/4"
62	Lock Nut	FJ9306	1	N-06 Lock Nut
63	Lock Washer	FJ9466	1	TW106 Lock Washer
73	Oil Plug – Gear Case	FK0510	4	SOC HD PP 3/4 x/SLNT
76	Oil Plug – Bearing Cap	FK0104	2	1/4 NPT SQ HD Solid PP
77	Vent Plug (Shipped Loose)	FK3011	1	3/4 NPT SQ HD Vented PP
78	Socket Cap Screw – Bearing Cap – Input	FJ3667	4	1/2 – 13 x 1 1/4 SOC HD CS
80	Socket Cap Screw – Motor Adapter Flange	FJ3667	4	1/2 – 13 x 1 1/4 SOC HD CS
81	Lock Washer – Motor Adapter Flange	FJ9508	4	1/2 Split
82	Hex Head Cap Screw – Motor – 180/210	FJ4667	4	1/2 - 13 x 1 1/4 HX HD CS
83	Lock Washer – Motor – 180/210	FJ9508	4	1/2 Split
90	Hex Head Cap Screw – Bearing Cap - Output	FJ4668	16	1/2 – 13 x 1 1/2 HX HD CS
	Name Plate	FN0170	1	

A Regal Brand

REGAL

www.regalbeloit.com