



**Part List for
3.75 Center Distance
Style "QH"**

Power Transmission Solutions
Regal Beloit America, Inc.
7120 New Buffington Road
Florence, KY 41042
Application Engineering: 800 626 2093
www.RegalPTS.com

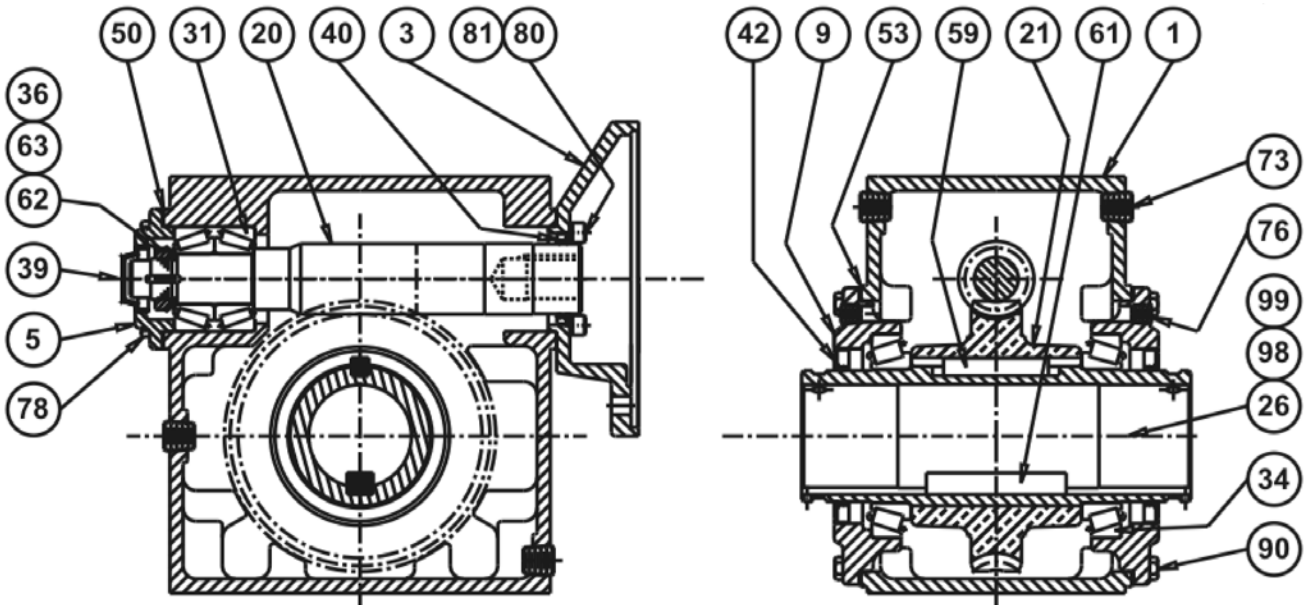
FORM
8832E
Revised
January 2016

⚠ WARNING

- Read and follow all instructions carefully.
- Disconnect and lock-out power before installation and maintenance. Working on or near energized equipment can result in severe injury or death.
- Do not operate equipment without guards in place. Exposed equipment can result in severe injury or death.

⚠ CAUTION

- Periodic inspections should be performed. Failure to perform proper maintenance can result in premature product failure and personal injury.



A Regal Brand

REGAL

Item No.	Description	Part No.	No. Req'd	Additional Description
1	Gear Case	KI0002	1	
3	Motor Adapter Flange – 56C/140TC Motor Adapter Flange – 184TC/215TC	KJ0140 KJ0142	1 1	
5	Bearing Cap – Input – Rear - Open	KJ0144	1	
9	Bearing Cap – Output - Open	KJ0030	2	
20	Worm Shaft – 10:1 – 5/8" Bore Worm Shaft – 15:1 – 5/8" Bore Worm Shaft – 20:1 – 5/8" Bore Worm Shaft – 25:1 – 5/8" Bore Worm Shaft – 30:1 – 5/8" Bore Worm Shaft – 40:1 – 5/8" Bore Worm Shaft – 50:1 – 5/8" Bore Worm Shaft – 60:1 – 5/8" Bore Worm Shaft – 10:1 – 7/8" Bore Worm Shaft – 15:1 – 7/8" Bore Worm Shaft – 20:1 – 7/8" Bore Worm Shaft – 25:1 – 7/8" Bore Worm Shaft – 30:1 – 7/8" Bore Worm Shaft – 40:1 – 7/8" Bore Worm Shaft – 50:1 – 7/8" Bore Worm Shaft – 60:1 – 7/8" Bore Worm Shaft – 10:1 – 1 1/8" Bore Worm Shaft – 15:1 – 1 1/8" Bore Worm Shaft – 20:1 – 1 1/8" Bore Worm Shaft – 25:1 – 1 1/8" Bore Worm Shaft – 30:1 – 1 1/8" Bore Worm Shaft – 40:1 – 1 1/8" Bore Worm Shaft – 50:1 – 1 1/8" Bore Worm Shaft – 60:1 – 1 1/8" Bore Worm Shaft – 10:1 – 1 3/8" Bore Worm Shaft – 15:1 – 1 3/8" Bore Worm Shaft – 20:1 – 1 3/8" Bore Worm Shaft – 25:1 – 1 3/8" Bore Worm Shaft – 30:1 – 1 3/8" Bore Worm Shaft – 40:1 – 1 3/8" Bore Worm Shaft – 50:1 – 1 3/8" Bore Worm Shaft – 60:1 – 1 3/8" Bore	KJ1061 KJ1062 KJ1063 KJ1064 KJ1065 KJ1066 KJ1067 KJ1068 KJ1072 KJ1073 KJ1074 KJ1075 KJ1076 KJ1077 KJ1078 KJ1079 KJ1083 KJ1084 KJ1085 KJ1086 KJ1087 KJ1088 KJ1089 KJ1090 KJ1093 KJ1094 KJ1095 KJ1096 KJ1097 KJ1098 KJ1099 KJ1100	1	
21	Worm Wheel – 10:1 Worm Wheel – 15:1 Worm Wheel – 20:1 Worm Wheel – 25:1 Worm Wheel – 30:1 Worm Wheel – 40:1 Worm Wheel – 50:1 Worm Wheel – 60:1	KJ1114 KJ1115 KJ1116 KJ1117 KJ1118 KJ1119 KJ1120 KJ1121	1	
26	Shaft – Output - Hollow	KJ0101	1	
31	Bearing – Input – Rear - Cup Bearing – Input – Rear - Cone	FF0148 FF0150	2	M88010 M88048
34	Bearing – Output – Cup Bearing – Output – Cone	FF0092 FF0093	2	27620 27690
36	Support Washer	FI1417	1	5900-118
39	Bore Plug	FG3032	1	206 RCP
40	Oil Seal – Input – Front	FG0201	1	471424
42	Oil Seal – Output	FG0905	2	476470
50	Shim Set Input	FI0326 FI0327 FI0328	2 2 2	
53	Shim Set – Output	FI0829 FI0830 FI0831	2 2 2	0.005 thickness 0.007 thickness 0.020 thickness
59	Key – Worm Wheel	FH0052	1	5/8 SQ x 2 1/2"
61	Key – Output Shaft	FH0322	2	1/2 x 5/8 x 3 1/2"
62	Lock Nut	FJ9306	1	N-06 Lock Nut
63	Lock Washer	FJ9466	1	TW106 Lock Washer
73	Oil Plug – Gear Case	FK0504	4	SOC HD PP 1/4 w/3MPAS
76	Oil Plug – Bearing Cap	FK0104	2	1/4 NPT SQ HD Solid PP
77	Vent Plug (Shipped Loose)	FK3006	1	1/4 - 18 NPT Vented PP
78	Hex Head Cap Screw – Bearing Cap – Input	FJ4567	4	3/8 - 16 x 1 1/4 HX HD CS
79	Lock Washer – Bearing Cap – Input	FJ9506	4	3/8 Split
80	Socket Head Cap Screw – Motor Adapter	FJ3567	4	3/8 - 16 x 1 1/4 SOC HD CS
81	Lock Washer – Motor Adapter Flange	FJ9506	4	3/8 Split
82	Hex Head Cap Screw – Motor – 56/140 Hex Head Cap Screw – Motor – 180/210	FJ4567 FJ4667	4 4	3/8 - 16 x 1 1/4 HX HD CS 1/2 - 16 x 1 1/4 HX HD CS
83	Lock Washer – Motor – 56/140 Lock Washer – Motor – 180/210	FJ9506 FJ9508	4 4	3/8 Split 1/2 Split
90	Hex Head Cap Screw – Bearing Cap - Output	FJ4667	8	1/2 – 13 x 1 1/4 HX HD CS
98	Socket Set Screw – Output Shaft	FJ1557	4	SOC HSS 3/8 – 16 x 3/8 CUP
99	Socket Set Screw – Output Shaft - Key	FJ1407	2	SOC HSS 10-32 x 1/4 CUP
	Name Plate	FN0147	1	

A Regal Brand

REGAL

www.regalbeloit.com