



**Part List for
4.50 Center Distance
Style "QH"**

Power Transmission Solutions
Regal Beloit America, Inc.
7120 New Buffington Road
Florence, KY 41042
Application Engineering: 800 626 2093
www.RegalPTS.com

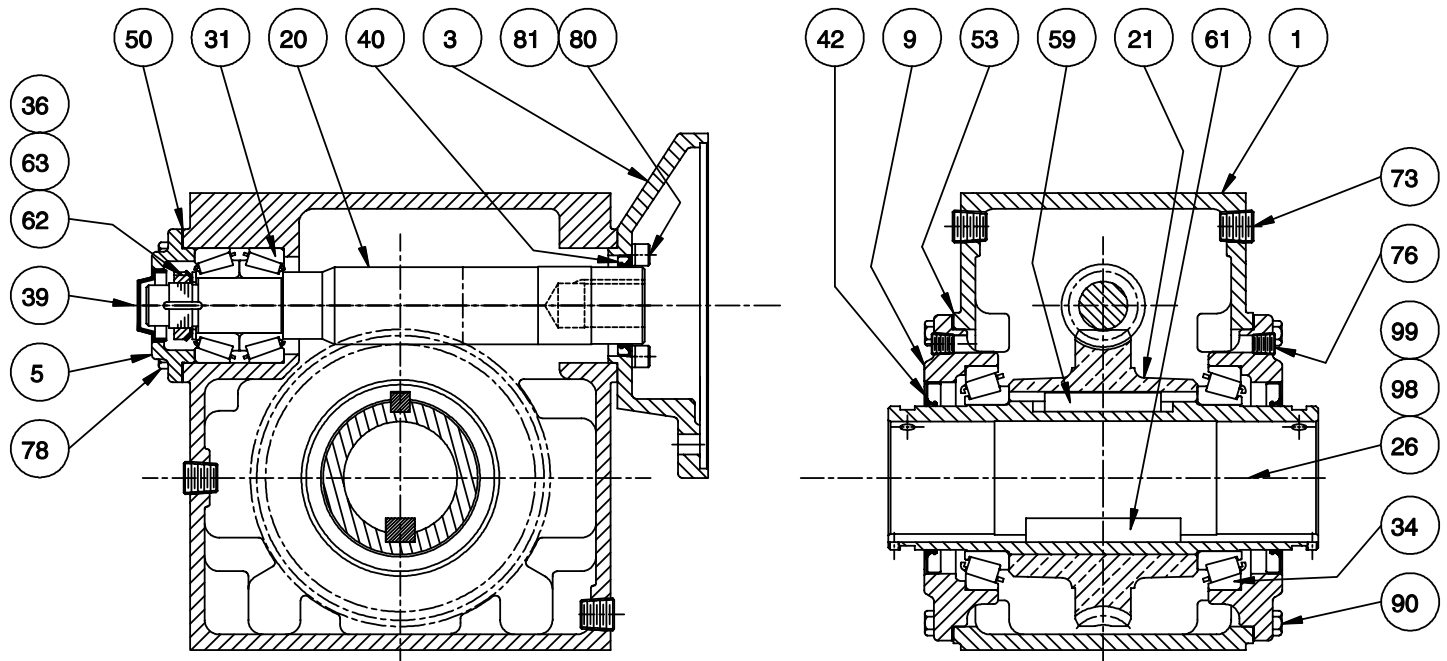
FORM
8833E
Revised
January 2016

⚠ WARNING

- Read and follow all instructions carefully.
- Disconnect and lock-out power before installation and maintenance. Working on or near energized equipment can result in severe injury or death.
- Do not operate equipment without guards in place. Exposed equipment can result in severe injury or death.

⚠ CAUTION

- Periodic inspections should be performed. Failure to perform proper maintenance can result in premature product failure and personal injury.



A Regal Brand

REGAL

Item No.	Description	Part No.	No. Req'd	Additional Description
1	Gear Case	KK0002	1	
3	Motor Flange Adapter – 140TC Motor Adapter Flange – 184TC/215TC	KJ0140 KJ0142	1	
5	Bearing Cap – Input – Rear - Open	KK0144	1	
9	Bearing Cap – Output - Open	KK0030	2	
20	Worm Shaft – 10:1 – 7/8" Bore Worm Shaft – 15:1 – 7/8" Bore Worm Shaft – 20:1 – 7/8" Bore Worm Shaft – 25:1 – 7/8" Bore Worm Shaft – 30:1 – 7/8" Bore Worm Shaft – 40:1 – 7/8" Bore Worm Shaft – 50:1 – 7/8" Bore Worm Shaft – 60:1 – 7/8" Bore Worm Shaft – 10:1 – 1 1/8" Bore Worm Shaft – 15:1 – 1 1/8" Bore Worm Shaft – 20:1 – 1 1/8" Bore Worm Shaft – 25:1 – 1 1/8" Bore Worm Shaft – 30:1 – 1 1/8" Bore Worm Shaft – 40:1 – 1 1/8" Bore Worm Shaft – 50:1 – 1 1/8" Bore Worm Shaft – 60:1 – 1 1/8" Bore Worm Shaft – 10:1 – 1 3/8" Bore Worm Shaft – 15:1 – 1 3/8" Bore Worm Shaft – 20:1 – 1 3/8" Bore Worm Shaft – 25:1 – 1 3/8" Bore Worm Shaft – 30:1 – 1 3/8" Bore Worm Shaft – 40:1 – 1 3/8" Bore Worm Shaft – 50:1 – 1 3/8" Bore Worm Shaft – 60:1 – 1 3/8" Bore	KK0072 KK0073 KK0074 KK0075 KK0076 KK0077 KK0078 KK0079 KK0083 KK0084 KK0085 KK0086 KK0087 KK0088 KK0089 KK0090 KK0093 KK0094 KK0095 KK0096 KK0097 KK0098 KK0099 KK0100	1	
21	Worm Wheel – 10:1 Worm Wheel – 15:1 Worm Wheel – 20:1 Worm Wheel – 25:1 Worm Wheel – 30:1 Worm Wheel – 40:1 Worm Wheel – 50:1 Worm Wheel – 60:1	KK0114 KK0115 KK0116 KK0117 KK0118 KK0119 KK0120 KK0121	1	
26	Shaft – Output - Hollow	KK0101	1	
31	Bearing – Input – Rear - Cup Bearing – Input – Rear - Cone	FF0235 FF0236	2	HM89410 HM89449
34	Bearing – Output – Cup Bearing – Output – Cone	FF0102 FF0322	2	42584 42381
36	Support Washer	FI1465	1	Bokers Support Washer
39	Bore Plug	FG3032	1	206 RCP
40	Oil Seal – Input – Front	FG0201	1	471424
42	Oil Seal – Output	FG0203	2	37526
50	Shim Set Input	FI0326 FI0327 FI0328	2 2 2	
53	Shim Set – Output	FI0837 FI0838 FI0839	2 2 2	0.005 thickness 0.007 thickness 0.020 thickness
59	Key – Worm Wheel	FH0047	1	1/2" SQ x 3"
61	Key – Output Shaft	FH0321	2	5/8" x 3/4" x 4"
62	Lock Nut	FJ9306	1	N-06 Lock Nut
63	Lock Washer	FJ9466	1	TW106 Lock Washer
73	Oil Plug – Gear Case	FK0508	4	SOC HD PP 1/2
76	Oil Plug – Bearing Cap	FK0104	2	1/4 NPT SQ HD Solid PP
77	Vent Plug (Shipped Loose)	FK3010	1	1/2 NPT SQ HD Vented PP
78	Hex Head Cap Screw – Bearing Cap – Input	FJ4567	4	3/8 - 16 x 1 1/4 HX HD CS
80	Socket Head Cap Screw – Motor Adapter	FJ3567	4	3/8 - 16 x 1 1/4 SOC HD CS
81	Lock Washer – Motor Adapter Flange	FJ9506	4	3/8 Split
82	Hex Head Cap Screw – Motor – 56/140 Hex Head Cap Screw – Motor – 180/210	FJ4567 FJ4667	4	3/8 - 16 x 1 1/4 HX HD CS 1/2 - 13 x 1 1/4 HX HD CS
83	Lock Washer – Motor – 56/140 Lock Washer – Motor – 180/210	FJ9506 FJ9508	4	3/8 Split 1/2 Split
90	Hex Head Cap Screw – Bearing Cap - Output	FJ4567	16	3/8 – 16 x 1 1/4 HX HD CS
98	Socket Set Screw – Output Shaft	FJ1657	4	SOC HSS 1/2 – 13 x 3/8 CUP
99	Socket Set Screw – Output Shaft - Key	FJ1452	2	SOC HSS 1/4 - 28 x 1/4 CUP
	Name Plate	FN0170	1	

A Regal Brand

REGAL

www.regalbeloit.com