



**Part List for
5.16 Center Distance
Style "QH"**

Power Transmission Solutions
Regal Beloit America, Inc.
7120 New Buffington Road
Florence, KY 41042
Application Engineering: 800 626 2093
www.RegalPTS.com

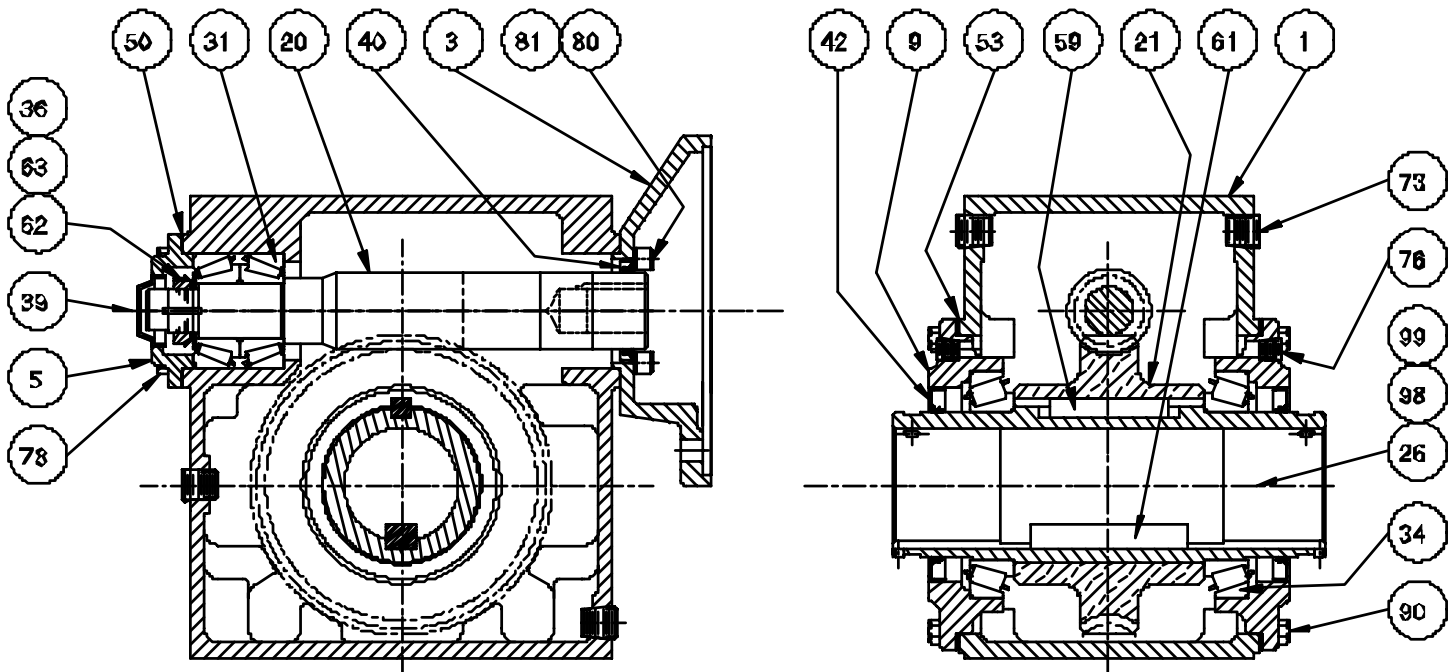
FORM
8834E
Revised
January 2016

⚠ WARNING

- Read and follow all instructions carefully.
- Disconnect and lock-out power before installation and maintenance. Working on or near energized equipment can result in severe injury or death.
- Do not operate equipment without guards in place. Exposed equipment can result in severe injury or death.

⚠ CAUTION

- Periodic inspections should be performed. Failure to perform proper maintenance can result in premature product failure and personal injury.



A Regal Brand

REGAL

Item No.	Description	Part No.	No. Req'd	Additional Description
1	Gear Case	KL0002	1	
3	Motor Flange Adapter – 184TC/215TC	KJ0142	1	
5	Bearing Cap – Input – Rear - Open	KK0144	1	
9	Bearing Cap – Output - Open	KL0030	2	
20	Worm Shaft – 10:1 – 1 1/8" Bore	KL0083	1	
	Worm Shaft – 15:1 – 1 1/8" Bore	KL0084		
	Worm Shaft – 20:1 – 1 1/8" Bore	KL0085		
	Worm Shaft – 25:1 – 1 1/8" Bore	KL0086		
	Worm Shaft – 30:1 – 1 1/8" Bore	KL0087		
	Worm Shaft – 40:1 – 1 1/8" Bore	KL0088		
	Worm Shaft – 50:1 – 1 1/8" Bore	KL0089		
	Worm Shaft – 60:1 – 1 1/8" Bore	KL0090		
	Worm Shaft – 10:1 – 1 3/8" Bore	KL0093		
	Worm Shaft – 15:1 – 1 3/8" Bore	KL0094		
	Worm Shaft – 20:1 – 1 3/8" Bore	KL0095		
	Worm Shaft – 25:1 – 1 3/8" Bore	KL0096		
	Worm Shaft – 30:1 – 1 3/8" Bore	KL0097		
	Worm Shaft – 40:1 – 1 3/8" Bore	KL0098		
	Worm Shaft – 50:1 – 1 3/8" Bore	KL0099		
	Worm Shaft – 60:1 – 1 3/8" Bore	KL0100		
21	Worm Wheel – 10:1	KL0114	1	
	Worm Wheel – 15:1	KL0115		
	Worm Wheel – 20:1	KL0116		
	Worm Wheel – 25:1	KL0117		
	Worm Wheel – 30:1	KL0118		
	Worm Wheel – 40:1	KL0119		
	Worm Wheel – 50:1	KL0120		
	Worm Wheel – 60:1	KL0121		
26	Shaft – Output - Hollow	KL0101	1	
31	Bearing – Input – Rear - Cup	FF0235	2	HM89410
	Bearing – Input – Rear - Cone	FF0236		HM89449
34	Bearing – Output – Cup	FF0184	2	JM822010
	Bearing – Output – Cone	FF0185		JM822049
36	Support Washer	FI1465	1	Bokers Support Washer
39	Bore Plug	FG3032	1	206 RCP
40	Oil Seal – Input – Front	FG0201	1	471424
42	Oil Seal – Output	FG0204	2	42419
50	Shim Set Input	FI0326	2	
		FI0327	2	
		FI0328	2	
53	Shim Set – Output	FI0845	2	0.005 thickness
		FI0846	2	0.007 thickness
		FI0847	4	0.010 thickness
59	Key – Worm Wheel	FH0047	1	1/2" SQ x 3"
61	Key – Output Shaft	FH0320	2	11/16" x 7/8" x 4 1/2"
62	Lock Nut	FJ9306	1	N-06 Lock Nut
63	Lock Washer	FJ9466	1	TW106 Lock Washer
73	Oil Plug – Gear Case	FK0510	4	SOC HD PP 3/4
76	Oil Plug – Bearing Cap	FK0104	2	1/4 NPT SQ HD Solid PP
77	Vent Plug (Shipped Loose)	FK3011	1	3/4 NPT SQ HD Vented PP
78	Hex Head Cap Screw – Bearing Cap – Input	FJ4567	4	3/8 - 16 x 1 1/4 HX HD CS
	Lock Washer – Bearing Cap – Input	FJ9506	4	3/8 Split
80	Socket Head Cap Screw – Motor Adapter	FJ3567	4	3/8 - 16 x 1 1/4 SOC HD CS
81	Lock Washer – Motor Adapter Flange	FJ9506	4	3/8 Split
82	Hex Head Cap Screw – Motor – 180/210	FJ4667	4	1/2 - 13 x 1 1/4 HX HD CS
83	Lock Washer – Motor – 180/210	FJ9508	4	1/2 Split
90	Hex Head Cap Screw – Bearing Cap - Output	FJ4567	16	3/8 - 16 x 1 1/4 HX HD CS
98	Socket Set Screw – Output Shaft	FJ1657	4	SOC HSS 1/2 – 13 x 3/8 CUP
99	Socket Set Screw – Output Shaft - Key	FJ1452	2	SOC HSS 1/4 - 28 x 1/4 CUP
	Name Plate	FN0170	1	

A Regal Brand

REGAL

www.regalbeloit.com