



**Part List for
4.50 Center Distance
Style "U"**

Power Transmission Solutions
Regal Beloit America, Inc.
7120 New Buffington Road
Florence, KY 41042
Application Engineering: 800 626 2093
www.RegalPTS.com

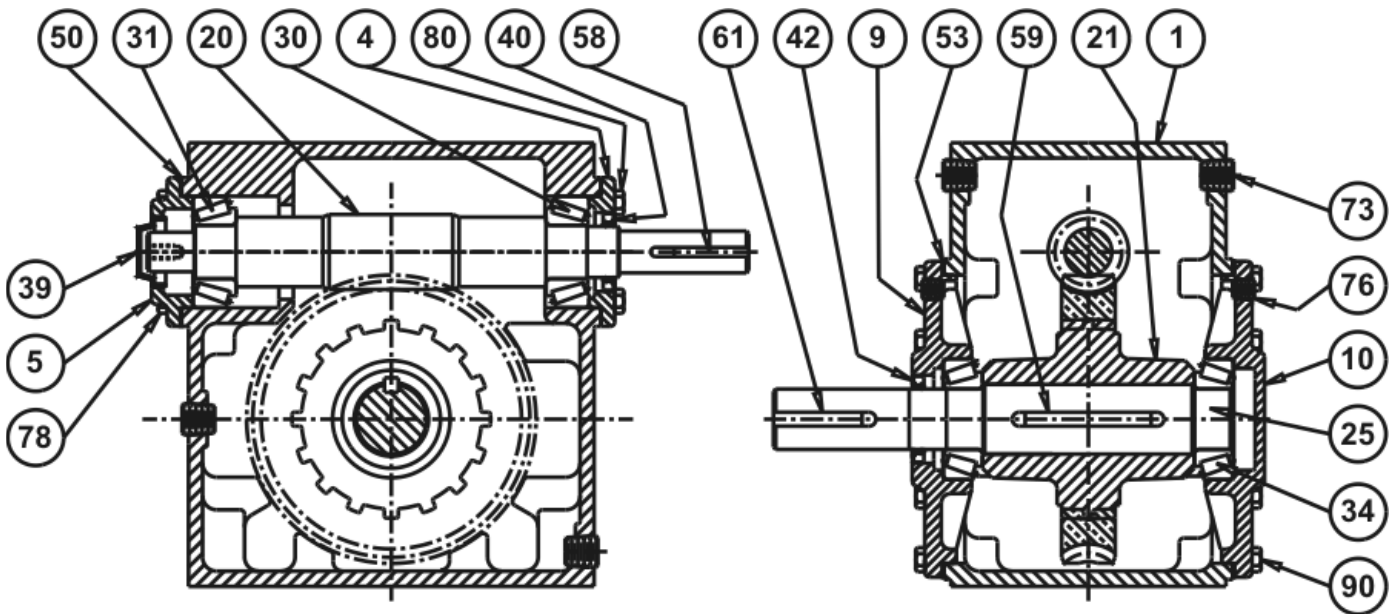
F O R M
8845E
Revised
January 2016

⚠ WARNING

- Read and follow all instructions carefully.
- Disconnect and lock-out power before installation and maintenance. Working on or near energized equipment can result in severe injury or death.
- Do not operate equipment without guards in place. Exposed equipment can result in severe injury or death.

⚠ CAUTION

- Periodic inspections should be performed. Failure to perform proper maintenance can result in premature product failure and personal injury.



A Regal Brand

REGAL

Item No.	Description	Part No.	No. Req'd	Additional Description
1	Gear Case	KK0002	1	
4	Bearing Cap – Input – Front – Open	KJ0025	1	
5	Bearing Cap – Input – Rear - Open	KK0144	1	
9	Bearing Cap – Output – Open	KK0028	1	
10	Bearing Cap – Output – Closed	KK0027	1	
20	Worm Shaft – 10:1	KK0036	1	
	Worm Shaft – 15:1	KK0037		
	Worm Shaft – 20:1	KK0038		
	Worm Shaft – 25:1	KK0039		
	Worm Shaft – 30:1	KK0040		
	Worm Shaft – 40:1	KK0041		
	Worm Shaft – 50:1	KK0042		
	Worm Shaft – 60:1	KK0043		
21	Worm Wheel – 10:1	KK0050	1	
	Worm Wheel – 15:1	KK0051		
	Worm Wheel – 20:1	KK0052		
	Worm Wheel – 25:1	KK0053		
	Worm Wheel – 30:1	KK0054		
	Worm Wheel – 40:1	KK0055		
	Worm Wheel – 50:1	KK0056		
	Worm Wheel – 60:1	KK0057		
25	Shaft – Output – Single	KK0032	1	
	Shaft – Output – Double	KK0033		
30	Bearing – Input – Front - Cup	FF0235	1	HM89410
	Bearing – Input – Front - Cone	FF0236		HM89449
31	Bearing – Input – Rear - Cup	FF0235	1	HM89410
	Bearing – Input – Rear - Cone	FF0236		HM89449
34	Bearing – Output - Cup	FF0237	2	M802011
	Bearing – Output - Cone	FF0238		M802048
39	Bore Plug	FG3032	1	206 RCP
40	Oil Seal – Input – Front	FG0606	1	471192
42	Oil Seal – Output	FG0178	1	473231
50	Shim Set Input	FI0326	2	
		FI0327	2	
		FI0328	2	
53	Shim Set Output	FI0837	2	0.005 thickness
		FI0838	2	0.007 thickness
		FI0839	2	0.020 thickness
58	Key – Input Shaft	FH0022	1	1/4 SQ x 1 3/4"
59	Key – Worm Wheel	FH0039	1	3/8 SQ x 3 1/2"
61	Key – Output	FH0035	1	3/8" SQ x 2 3/8"
73	Oil Plug – Gear Case	FK0508	4	SOC HD PP 1/2
76	Oil Plug – Bearing Cap	FK0104	2	1/4 NPT SQ HD Solid PP
77	Vent Plug (Shipped Loose)	FK3010	1	1/2 NPT SQ HD Vented PP
78	Hex Head Cap Screw – Bearing Cap – Input	FJ4567	8	3/8 - 16 x 1 1/4 HX HD CS
90	Hex Head Cap Screw – Bearing Cap - Output	FJ4567	16	3/8 – 16 x 1 1/4 HX HD CS
	Name Plate	FN0170	1	

A Regal Brand

REGAL

www.regalbeloit.com