



**Part List for  
3.75 Center Distance  
Style "UH"**

**Power Transmission Solutions**  
Regal Beloit America, Inc.  
7120 New Buffington Road  
Florence, KY 41042  
Application Engineering: 800 626 2093  
www.RegalPTS.com

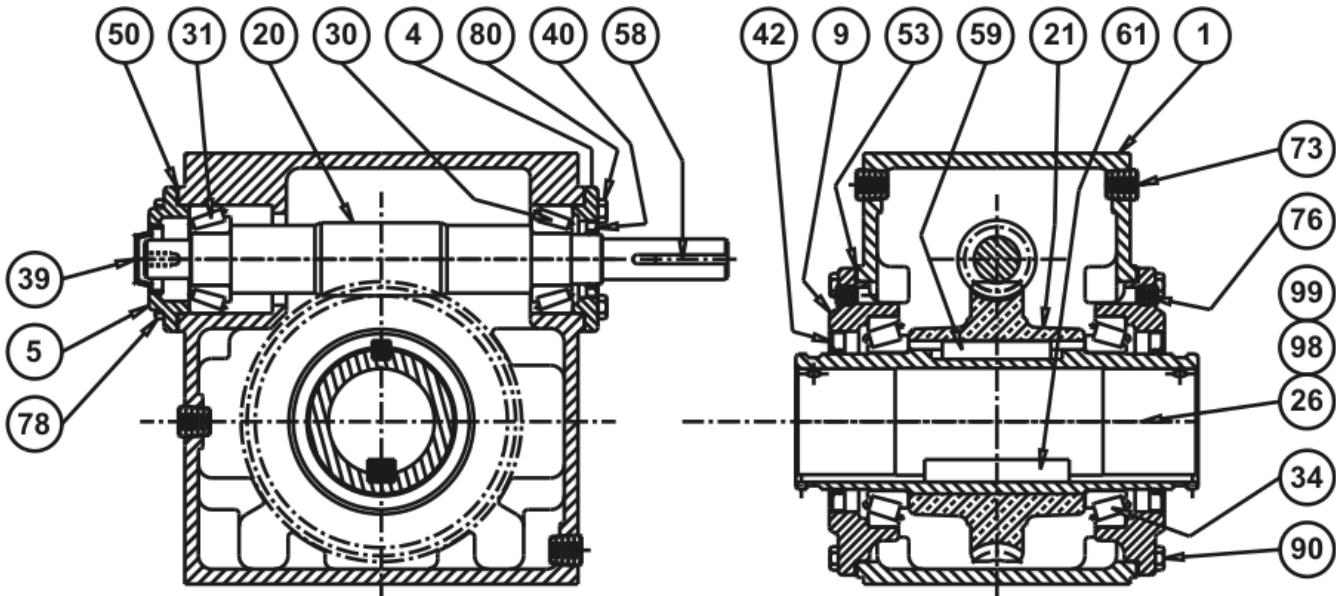
**FORM**  
**8856E**  
**Revised**  
**January 2016**

**⚠ WARNING**

- Read and follow all instructions carefully.
- Disconnect and lock-out power before installation and maintenance. Working on or near energized equipment can result in severe injury or death.
- Do not operate equipment without guards in place. Exposed equipment can result in severe injury or death.

**⚠ CAUTION**

- Periodic inspections should be performed. Failure to perform proper maintenance can result in premature product failure and personal injury.



A Regal Brand

**REGAL**

Item No.	Description	Part No.	No. Req'd	Additional Description
1	Gear Case	KJ0002	1	
4	Bearing Cap – Input – Front	KJ0025	1	
5	Bearing Cap – Input – Rear	KJ0144	1	
9	Bearing Cap – Output – Open	KJ0030	2	
20	Worm Shaft – 10:1	KJ1036	1	
	Worm Shaft – 15:1	KJ1037		
	Worm Shaft – 20:1	KJ1038		
	Worm Shaft – 25:1	KJ1039		
	Worm Shaft – 30:1	KJ1040		
	Worm Shaft – 40:1	KJ1041		
	Worm Shaft – 50:1	KJ1042		
	Worm Shaft – 60:1	KJ1043		
21	Worm Wheel – 10:1	KJ1114	1	
	Worm Wheel – 15:1	KJ1115		
	Worm Wheel – 20:1	KJ1116		
	Worm Wheel – 25:1	KJ1117		
	Worm Wheel – 30:1	KJ1118		
	Worm Wheel – 40:1	KJ1119		
	Worm Wheel – 50:1	KJ1120		
	Worm Wheel – 60:1	KJ1121		
26	Shaft – Output – Hollow	KJ0101	1	
30	Bearing – Input – Front – Cup	FF0235	1	HM89410
	Bearing – Input – Front – Cone	FF0236		HM89449
31	Bearing – Input – Rear – Cup	FF0148	1	M88010
	Bearing – Input – Rear – Cone	FF0150		M88048
34	Bearing – Output – Cup	FF0092	2	27620
	Bearing – Output – Cone	FF0093		27690
39	Bore Plug	FG3032	1	206 RCP
40	Oil Seal – Input – Front	FG0213	1	473205
42	Oil Seal – Output	FG0905	2	476470
50	Shim Set – Input	FI0326	2	
		FI0327	2	
		FI0328	2	
53	Shim Set – Output	FI0829	2	0.005 thickness
		FI0830	2	0.007 thickness
		FI0831	2	0.020 thickness
58	Key – Input Shaft	FH0021	1	1/4 SQ x 1 3/4"
59	Key – Worm Wheel	FH0052	1	5/8 SQ x 2 1/3"
61	Key – Output Shaft	FH0322	1	
73	Oil Plug – Gear Case	FK0504	5	Soc HD PP 1/4 w/3MPAS
76	Pipe Plug Cover	FK0104	2	1/4 NPT SQ HD Solid PP
77	Vent Plug (Shipped Loose)	FK3006	1	¼ - 18 NPT Vented PP
78	Cap Screw – Input Cover – Rear	FJ4567	4	3/8 – 16 x 1 1/4 HX HD CS
80	Cap Screw – Input Cover – Front	FJ4567	4	3/8 – 16 x 1 1/4 HX HD CS
90	Hex Head Cap Screw – Bearing Cap	FJ4667	8	1/2 – 13 x 1 1/4 HX HD CS
91	Lock Washer – Bearing Cap		8	
98	Socket Set Screw – Output Shaft	FJ1557	4	SOC HSS 3/8 – 16 x 3/8 Cup
99	Socket Set Screw – Output Shaft Key	FJ1407	2	SOC HSS 10 – 32 x 1/4 Cup
	Name Plate	FN0170	1	

A Regal Brand

**REGAL**

www.regalbeloit.com