



**Part List for
6.00 Center Distance
Style "UH"**

Power Transmission Solutions
Regal Beloit America, Inc.
7120 New Buffington Road
Florence, KY 41042
Application Engineering: 800 626 2093
www.RegalPTS.com

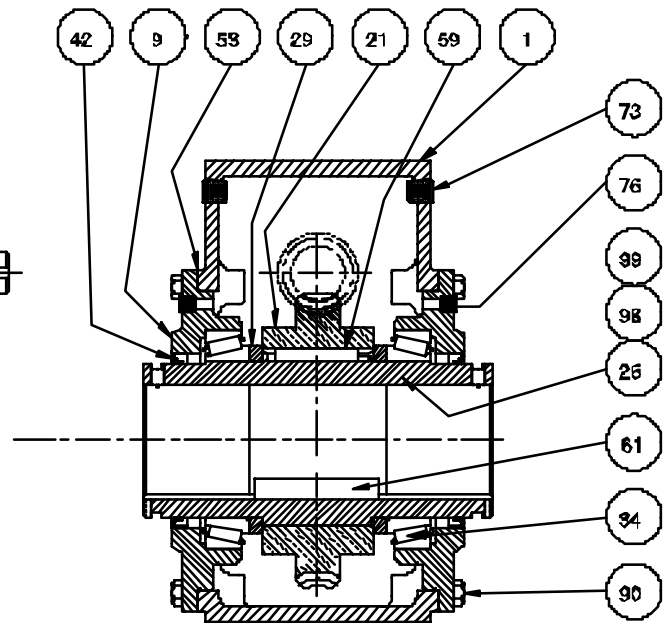
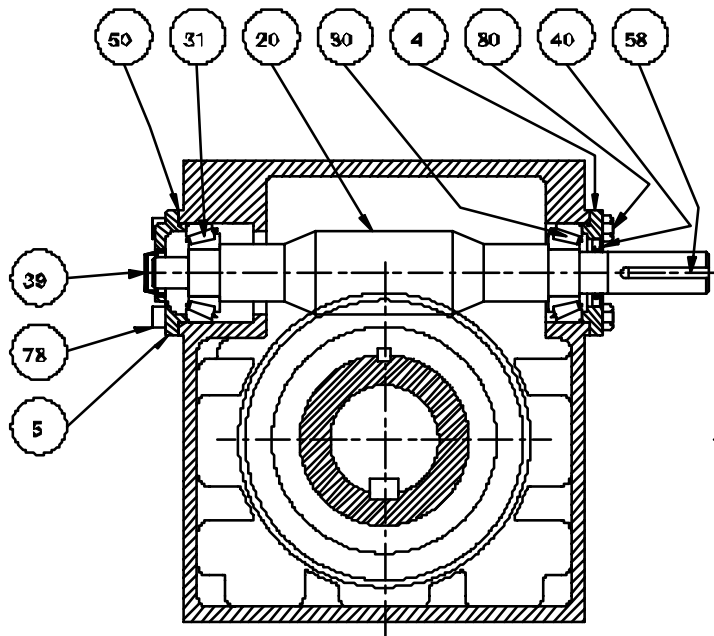
FORM
8859E
Revised
January 2016

⚠ WARNING

- Read and follow all instructions carefully.
- Disconnect and lock-out power before installation and maintenance. WorkKng on or near energized equipment can result in severe injury or death.
- Do not operate equipment without guards in place. Exposed equipment can result in severe injury or death.

⚠ CAUTION

- Periodic inspections should be performed. Failure to perform proper maintenance can result in premature product failure and personal injury.



A Regal Brand

REGAL

Item No.	Description	Part No.	No. Req'd	Additional Description
1	Gear Case	KM0002	1	
4	Bearing Cap – Input – Front	KM0025	1	
5	Bearing Cap – Input – Rear	KM0144	1	
9	Bearing Cap – Output – Open	KM0030	2	
20	Worm Shaft – 5:1 Worm Shaft – 10:1 Worm Shaft – 15:1 Worm Shaft – 20:1 Worm Shaft – 25:1 Worm Shaft – 30:1 Worm Shaft – 40:1 Worm Shaft – 50:1 Worm Shaft – 60:1	KM0034 KM0036 KM0037 KM0038 KM0039 KM0040 KM0041 KM0042 KM0043	1	
21	Worm Wheel – 5:1 Worm Wheel – 10:1 Worm Wheel – 15:1 Worm Wheel – 20:1 Worm Wheel – 25:1 Worm Wheel – 30:1 Worm Wheel – 40:1 Worm Wheel – 50:1 Worm Wheel – 60:1	DR0141 DR0143 DR0144 DR0145 DR0146 DR0147 DR0148 DR0149 DR0150	1	
26	Shaft – Output – Hollow Spacer	KM0101 KM0016	1 1	
30	Bearing – Input – Front – Cup Bearing – Input – Front – Cone	FF0177 FF0323	1 1	HM803110 HM803146
31	Bearing – Input – Rear – Cup Bearing – Input – Rear – Cone	FF0177 FF0323	1	HM803110 HM803146
34	Bearing – Output – Cup Bearing – Output – Cone	FF0324 FF0325	2	48620 48685
39	Bore Plug	FG3033	1	237 RCP
40	Oil Seal – Input – Front	FG0056	1	473229
42	Oil Seal – Output	FG0198	2	476842
50	Shim Set – Input	FI0849 FI0850 FI0851	2 2 2	0.005 thickness 0.007 thickness 0.020 thickness
53	Shim Set – Output	FI0853 FI0854 FI0855	2 2 2	0.005 thickness 0.007 thickness 0.020 thickness
58	Key – Input Shaft	FH0145	1	3/8" SQ x 2 7/8"
59	Key – Worm Wheel	FH0047	1	1/2" SQ x 3"
61	Key – Output Shaft	FH0323	1	3/4" x 1" x 4 1/2"
73	Oil Plug – Gear Case	FK0510	4	SOC HD PP 3/4w/SLNT
76	Pipe Plug Cover	FK0104	2	1/4 NPT SQ HD Solid PP
77	Vent Plug (Shipped Loose)	FK3011	1	3/4 NPT SQ HD
78	Cap Screw – Input Cover – Rear	FJ3667	4	1/2 – 13 x 1 1/4 SOC HD CS
80	Cap Screw – Input Cover – Front	FJ4667	4	1/2 – 13 x 1 1/4 HX HD CS
90	Hex Head Cap Screw – Bearing Cap	FJ4668	16	1/2 – 13 x 1 1/2 HX HD CS
98	Socket Set Screw – Output Shaft	FJ1658	4	SOC HSS 1/2 – 13 x 1/2 Cup
99	Socket Set Screw – Output Shaft Key	FJ1464	2	SOC HSS 1/4 - 28 x 1/2 Cup
	Name Plate	FN0170	1	

A Regal Brand

REGAL

www.regalbeloit.com