



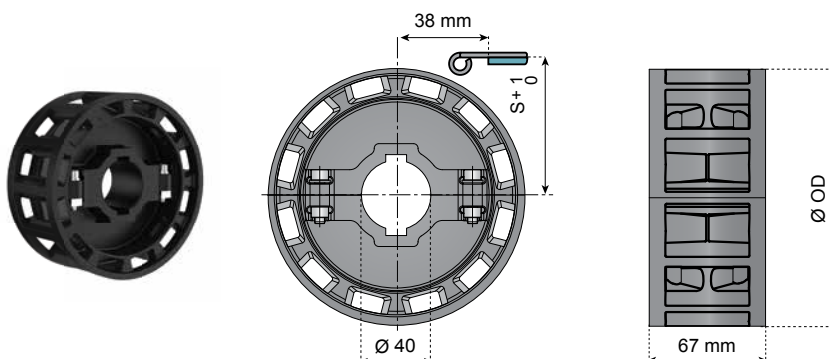
HEAVY DUTY SPROCKETS & IDLERS

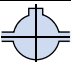


FOR CHAINS 812 - 815 - 815VG - 881M - 881MO

FEATURES:

- Dirt is moved away from contact surfaces resulting in longer wear life of chain and sprocket
- Robust design can absorb high forces
- Thicker teeth for optimum wear life
- Designed for harsh environments (e.g. crate conveyors)
- Sprocket available with Z12 and Bore 40mm
- Idler available with plastic bushings or stainless steel bearings



 MOLDED DRIVE SPROCKETS - SPLIT FIXED	
Z	Ø 40 ITEM DESCRIPTION
12	815-12R40M-DS-HD-K2

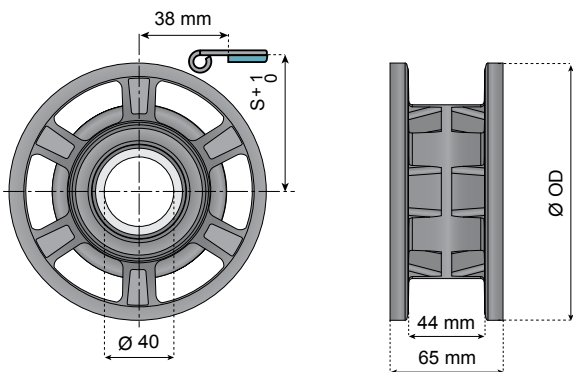
Z	Ø OD mm	Ø P mm	S mm
12	148	147.2	76

Material: reinforced polyamide; screws in stainless steel

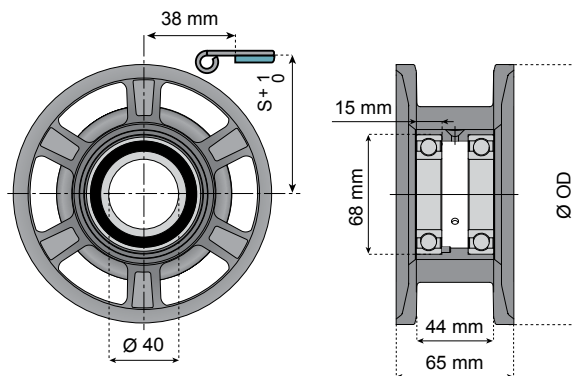


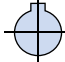
HEAVY DUTY SPROCKETS & IDLERS

BUSHING INSERT



BEARING INSERT



 MOLDED IDLER WHEELS - ONE PIECE		
Z	Ø 40	
	ITEM DESCRIPTION	
	BUSHINGS	BEARINGS
12	820-12R40M-W-HDL	820-12R40M-W-HDSS

Z	Ø OD mm	S mm
12	148	76

Material: reinforced polyamide; acetal bushings; stainless steel bearings

**SYSTEM
PLAST®**

Regal Power Transmission Solutions

Via Guareschi, 2
Telgate, 24060 - Italy
Customer Service: 035-83-51-301
Fax: 035-83-51-399

www.RegalPTS.com

APPLICATION CONSIDERATIONS

The proper selection and application of power transmission products and components, including the related area of product safety, is the responsibility of the customer. Operating and performance requirements and potential associated issues will vary appreciably depending upon the use and application of such products and components. The scope of the technical and application information included in this publication is necessarily limited. Unusual operating environments and conditions, lubrication requirements, loading supports, and other factors can materially affect the application and operating results of the products and components and the customer should carefully review its requirements. Any technical advice or review furnished by Regal Beloit America, Inc. and/or its affiliates ("Regal") with respect to the use of products and components is given in good faith and without charge, and Regal assumes no obligation or liability for the advice given, or results obtained, all such advice and review being given and accepted at customer's risk.

For a copy of our Standard Terms and Conditions of Sale, please visit <http://www.regalbeloit.com> (please see link at bottom of page to "Standard Terms and Conditions of Sale"). These terms and conditions of sale, disclaimers and limitations of liability apply to any person who may buy, acquire or use a Regal product referred to herein, including any person who buys from a licensed distributor of these branded products.

Regal and System Plast are trademarks of Regal Beloit Corporation or one of its affiliated companies.

©2016 Regal Beloit Corporation, All Rights Reserved. MCSSP16052E • Form# 10079E

