

SPEEDSET™ BRACKETS VG-210Q SERIES

APPLICATION

Filler line that conveys 5 different sized plastic bottles.

SOLUTION TYPE

Maintenance cost savings and downtime reduction.



DESCRIPTION OF PROBLEM

Customer has a filler line that conveys 5 different sized plastic bottles. They change bottle sizes at least 2 times per week. They currently use double rail guides with hand knobs. Each change-over takes an average of 4 hours and the dimensions would vary due to the process. They would spend an average of \$104 per week for labor costs.

REGAL® SOLUTION

SpeedSet brackets solve conveyor line change-over problems quickly. The benefit of SpeedSet brackets is preset conveyor guide rail adjustability that is fast and accurate without the need for tools. SpeedSet brackets are fast because a simple push on the end knob moves the rod, clamp, and guide rail. Within seconds, each rail holding point can be adjusted, saving valuable time on line change-overs.

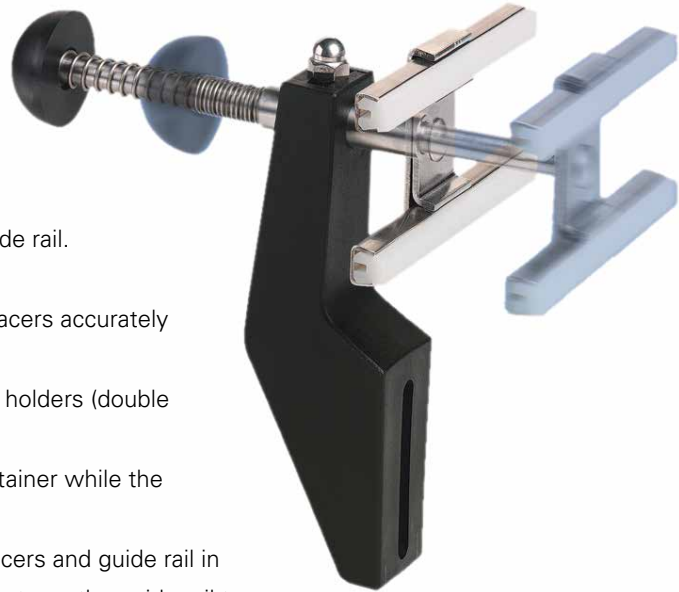
KEY CUSTOMER NEED(S) AND BENEFITS FROM SYSTEM PLAST PRODUCTS

Since the customer has switched to SpeedSet brackets, it only takes 30 minutes to complete the change-overs. The new labor costs average only \$13. That's a weekly reduction of 87.5% cost for the average 2 change-overs.

SPEEDSET™ BRACKETS - VG-210Q SERIES

FEATURES AND BENEFITS

- Fast, accurate conveyor line change-overs.
- Preset guide rail adjustability.
- Reduced down time.
- No need for tools.
- A simple push on the end knob moves the rod, clamp, and guide rail.
- Innovative positioning spacer design.
- Customized to individual product requirements, positioning spacers accurately hold the rod and guide rail in position.
- Tapped piston rod can accept a wide variety of Valu Guide® rail holders (double rail clamp shown).
- The rod sleeve provides the reach to the largest conveyed container while the rod inside the sleeve adjusts to the smaller container.
- The spring maintains pressure which holds the positioning spacers and guide rail in place. When the positioning spacers are removed, the spring returns the guide rail to the "Home Position".
- Valu Guide rail holders are slotted to allow vertical height adjustment. The use of bracket spacers, swivel tops, and stacking rings allows virtually any conveyor line to take advantage of SpeedSet brackets.



**SYSTEM
PLAST®**

Regal Beloit America, Inc.

7120 New Buffington Road

Florence, KY 41042

Customer Service: 800-626-2120

Fax: 800-262-3292

Technical Service: 800-626-2093

www.RegalBeloit.com

APPLICATION CONSIDERATIONS

The proper selection and application of power transmission products and components, including the related area of product safety, is the responsibility of the customer. Operating and performance requirements and potential associated issues will vary appreciably depending upon the use and application of such products and components. The scope of the technical and application information included in this publication is necessarily limited. Unusual operating environments and conditions, lubrication requirements, loading supports, and other factors can materially affect the application and operating results of the products and components and the customer should carefully review its requirements. Any technical advice or review furnished by Regal Beloit America, Inc. and/or its affiliates ("Regal") with respect to the use of products and components is given in good faith and without charge, and Regal assumes no obligation or liability for the advice given, or results obtained, all such advice and review being given and accepted at customer's risk.

For a copy of our Standard Terms and Conditions of Sale, please visit <http://www.regalbeloit.com> (please see link at bottom of page to "Standard Terms and Conditions of Sale"). These terms and conditions of sale, disclaimers and limitations of liability apply to any person who may buy, acquire or use a Regal product referred to herein, including any person who buys from a licensed distributor of these branded products.

Regal, Speedset, System Plast and Valu Guide are trademarks of Regal Beloit Corporation or one of its affiliated companies.

©2015, 2018 Regal Beloit Corporation, All Rights Reserved. MCSSP18057E • Form# xxxxE

REGAL®