

APPLICATION

APPLICATION DATA

INFORMATION

CUSTOMER: _____ PHONE: _____

ADDRESS: _____

CUSTOMER CONTACT: _____

APPLICATION DESCRIPTION: _____

BEVEL

GEAR

DRIVE

PRIME MOVER INFORMATION:

TYPE: • Electric Motor • Gasoline Engine • Diesel Engine
 • Other (Specify): _____

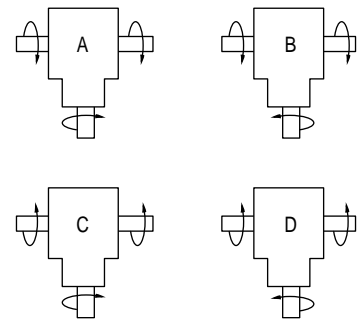
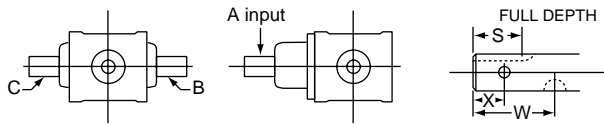
BRAND NAME: _____ Model No. _____

H.P. _____ @ _____ RPM Max. Torque _____ @ _____ RPM

DUTY CYCLE: _____ Hrs./Day _____ Days/Years _____

SPECIAL OPTIONS: • Explain: _____

MODEL	RATIO	INPUT RPM	ROTATION	MOUNTING: BASE RING



ROTATION FROM END OF SHAFT

SHAFT	A	B	C
DIA.			
EXT.			
KEY			
S			
W			
HOLE			
X			

REMARKS: _____

Note: Refer to warning, safety and installation pages (1-2) before installing or operating power transmission products