

1751D-__XXX-XX	SAE HSG	"A"	"B"	"C"	"D"	SAE ADAPTOR	"E"	"F"	"G"	PART NUMBER -
01	1	20.125	20.875	12	15/32	A-2	3/8-16	4.188	3.251	AVAILABLE UPON REQUEST
02	1	20.125	20.875	12	15/32	B-2	1/2-13	5.750	4.001	23-09036
04	1	20.125	20.875	12	15/32	B-4	1/2-13	5.000	4.001	23-09037
06	1	20.125	20.875	12	15/32	C-2	5/8-11	7.125	5.001	23-09038
07	2	17.625	18.375	12	13/32	C-4	1/2-13	6.375	6.001	AVAILABLE UPON REQUEST
08	2	17.625	18.375	12	13/32	D-4	3/4-10	9.000	3.251	23-09033
10	2	17.625	18.375	12	13/32	A-2	3/8-16	4.188	4.001	23-09034
12	2	17.625	18.375	12	13/32	B-2	1/2-13	5.750	6.001	23-09035 (F)
13	3	16.125	16.875	12	13/32	B-4	1/2-13	5.000	6.001	23-09386 (F)
14	3	16.125	16.875	12	13/32	C-2	5/8-11	7.125	4.001	23-09030
16	3	16.125	16.875	12	13/32	C-4	1/2-13	6.375	5.001	23-09031
18	3	16.125	16.875	12	13/32	D-4	3/4-10	9.000	6.001	23-09032
19	4	14.250	15.000	12	13/32	A-2	3/8-16	4.188	3.251	23-09075 (A)
20	4	14.250	15.000	12	13/32	B-2	1/2-13	5.750	4.001	23-09027
22	4	14.250	15.000	12	13/32	B-4	1/2-13	5.000	5.001	23-09028
24	4	14.250	15.000	12	13/32	C-2	5/8-11	7.125	6.001	23-09029
25	5	12.375	13.125	8	13/32	C-4	1/2-13	6.375	6.001	23-09023
26	5	12.375	13.125	8	13/32	D-4	3/4-10	9.000	4.001	23-09024
28	5	12.375	13.125	8	13/32	B-2	1/2-13	5.750	5.001	23-09025
30	5	12.375	13.125	8	13/32	B-4	1/2-13	5.000	6.001	23-09026
31	1	20.125	20.875	12	15/32	E-4	3/4-10	12.500	6.501	23-09039

UNLESS OTHERWISE SPECIFIED
BREAK SHARP EDGES .015 MAX.
CORNERS TO HAVE
.031 MAX. FILLET
EXCEPT SNAP RING GROOVES

ALL DIMENSIONS IN INCHES
TOLERANCES UNLESS
OTHERWISE SPECIFIED

THIS PRINT IS
CONFIDENTIAL
AND IS THE PROPERTY OF
DURST, DIV. REGAL BELLOIT CORP.
THIS PRINT SHALL NOT BE USED, COPIED
OR REPRODUCED IN WHOLE OR IN PART
NOR SHALL THE CONTENTS BE REVEALED
IN ANY MANNER TO ANYONE UNLESS
WRITTEN PERMISSION IS OBTAINED FROM
DURST, DIV. REGAL BELLOIT CORP.

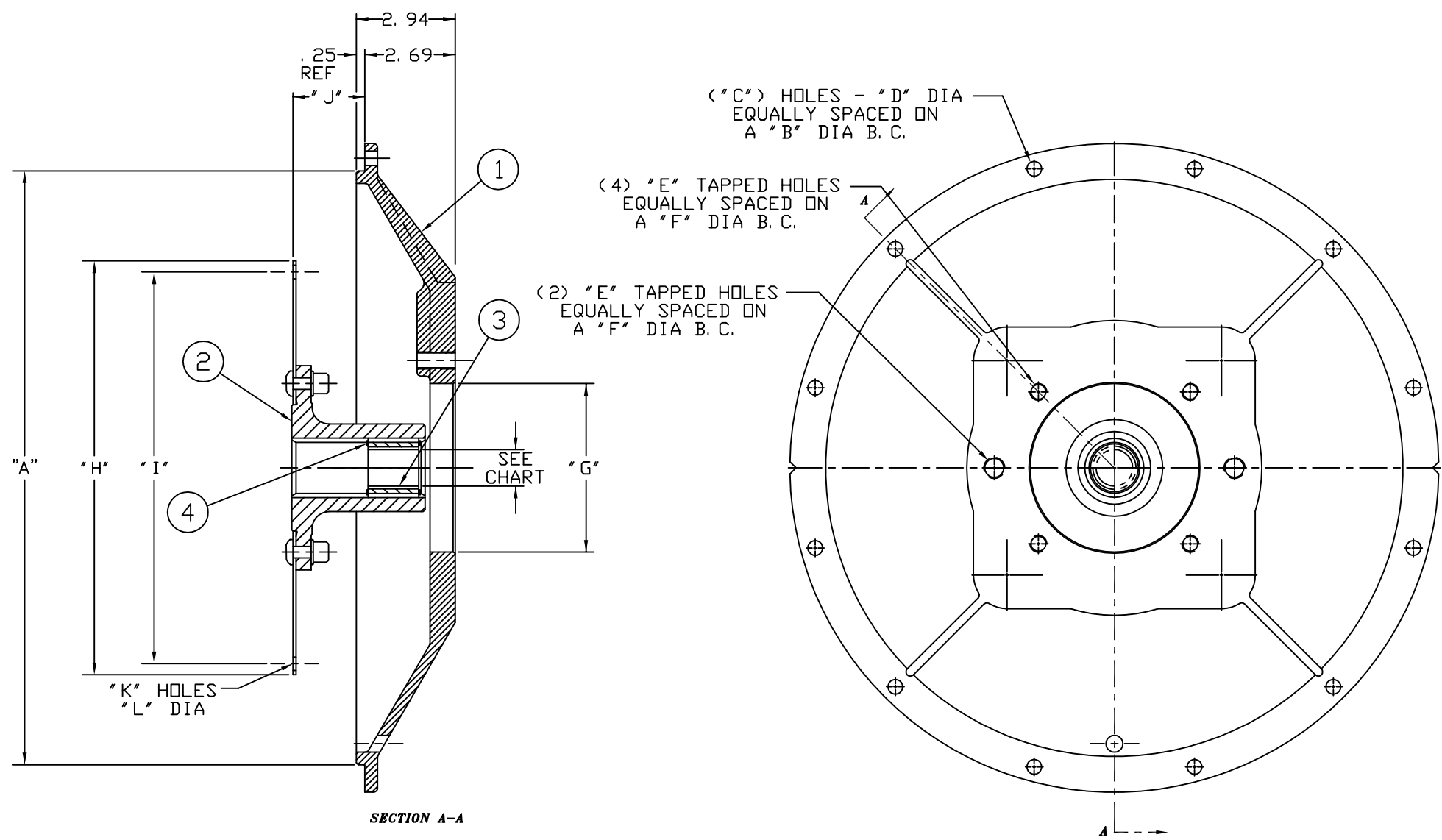
FRACTIONS +/-
X.XX +/- .010
X.XXX +/- .005
X.XXXX +/- .005
ANGLES +/- 1°

PART NO. 1751D
CUST. OR VENDOR NO.
ALT. DESC.

1751D-XX_XX-XX	FLYWHEEL SIZE	"H"	"I"	"J"	"K"	"L"	PART NUMBER-REF #2
1	6 1/2	8.44	7.875	1.19	6	11/32	TS-2215-0164
2	7 1/2	9.44	8.750	1.19	8	11/32	TS-2215-0161
3	8	10.38	9.625	2.44	6	13/32	2309004
4	10	12.38	11.625	2.13	8	13/32	2309005
5	11 1/2	13.88	13.125	1.56	8	13/32	TS-2215-0142
6	14	18.38	17.250	1.00	8	17/32	TS-2215-0143
ⓑ 7	11 1/2	13.88	13.125	2.13	8	13/32	TS-2215-0254
ⓑ 8	7 1/2	9.44	8.750	2.13	8	11/32	TS-2215-0255
ⓒ 9	10	12.38	11.625	1.04	8	13/32	2309297
ⓓ 10	14	18.38	17.25	1.00	8	17/32	TS-2215-0263 *
ⓔ 11	8	10.38	9.625	.906	6	13/32	TS-2215-0264
ⓕ 12	14	18.38	17.25	1.00	8	17/32	2509455

27T-16/32 SPLINE

* NOTE: USED W/ -31 HSG "E" & 13T 8/16



1751D-XXX_-XX	INSERT BUSHING SIZE	BUSHING - REF #3
01	.625 DIA - 3/16 X 3/32 KW	23-01577
02	.875 DIA - 3/16 X 3/32 KW	23-01578
03	.875 DIA - 1/4 X 1/8 KW	23-01579
04	1.000 DIA - 3/16 X 3/32 KW	23-01580
05	1.000 DIA - 1/4 X 1/8 KW	23-01581
06	.750 DIA - 3/16 X 3/32 KW	23-01582
07	9T - 16/32 D.P. SPLINE	23-01531
08	13T - 16/32 D.P. SPLINE	23-01532
09	14T - 12/24 D.P. SPLINE	23-01533
10	1.000 - 6B STRAIGHT SPLINE	23-01534
11	15T - 16/32 D.P. SPLINE	23-01558
12	1.250 DIA - 1/4 X 1/8 KW	23-01567
13	1.250 DIA - 5/16 X 5/32 KW	23-01568
14	21T - 16/32 D.P. SPLINE	23-01565
15	13T - 8/16 D.P. SPLINE	NO BUSHING REQ'D *

* NOTE: OMIT RETAINING RINGS, REF #4, WHEN NO BUSHING IS REQUIRED

BILL OF MATERIAL

REF	PART NUMBER	DESCRIPTION	UM	QTY
1	SEE CHART	HOUSING, FLYWHEEL	EA	1.000
2	SEE CHART	ASSEMBLY, DRIVE PLATE	EA	1.000
3	SEE CHART	BUSHING	EA	1.000
4	17-86-165	RING, RETAINING	EA	2.000

ECD	DATE	LTR	REVISION	BY	ECD	DATE	LTR	REVISION	BY	DATE
21344	7/3/97	~	RELEASED	WEM						6/25/97
22439	10/8/98	A	ADDED P/N 2309075 TO CHART	WEM						SCALE N/A
23318	5/16/00	B	ADDED (2) DRIVE PLATE ASSEMBLYS	TAM						DRAWN BY WEM
23693	12/5/00	C	ADDED ASSEMBLY 2309297 TO CHART	WEM						CHECKED BY
24229	02/13/02	D	ADDED ASSEMBLY TS-2215-0263 TO CHART	PDC						MATERIAL
24265	3/12/02	E	ADDED ASSEMBLY TS-2215-0264 TO CHART	WEM						SEE BILL OF MATERIAL
25798	11/1/04	F	ADDED ASSEMBLY 2309386 TO CHART	WEM						APPROVED BY
26996	9/1/06	G	ADDED ASSEMBLY 2509455 TO CHART	WEM						

DURST
DURST, DIVISION OF REGAL BELLOIT CORP. P.O. BOX 298, BELLOIT, WISCONSIN 53512

CAD DRAWING - DO NOT REVISE MANUALLY

6/13/2008 11:17:21 AM / Kaitly Spaw / I:\Teamwork\cam\VAULT\1751D\1751D CHARTED.DWG /