

Ratio Options	1
<b>2PD05</b>	
2.00 Dec.	
1.61 Dec.	
1.40 Dec.	
1.14 Dec.	
1:1	
1.14 Inc.	
1.40 Inc.	
1.61 Inc.	
2.00 Inc.	

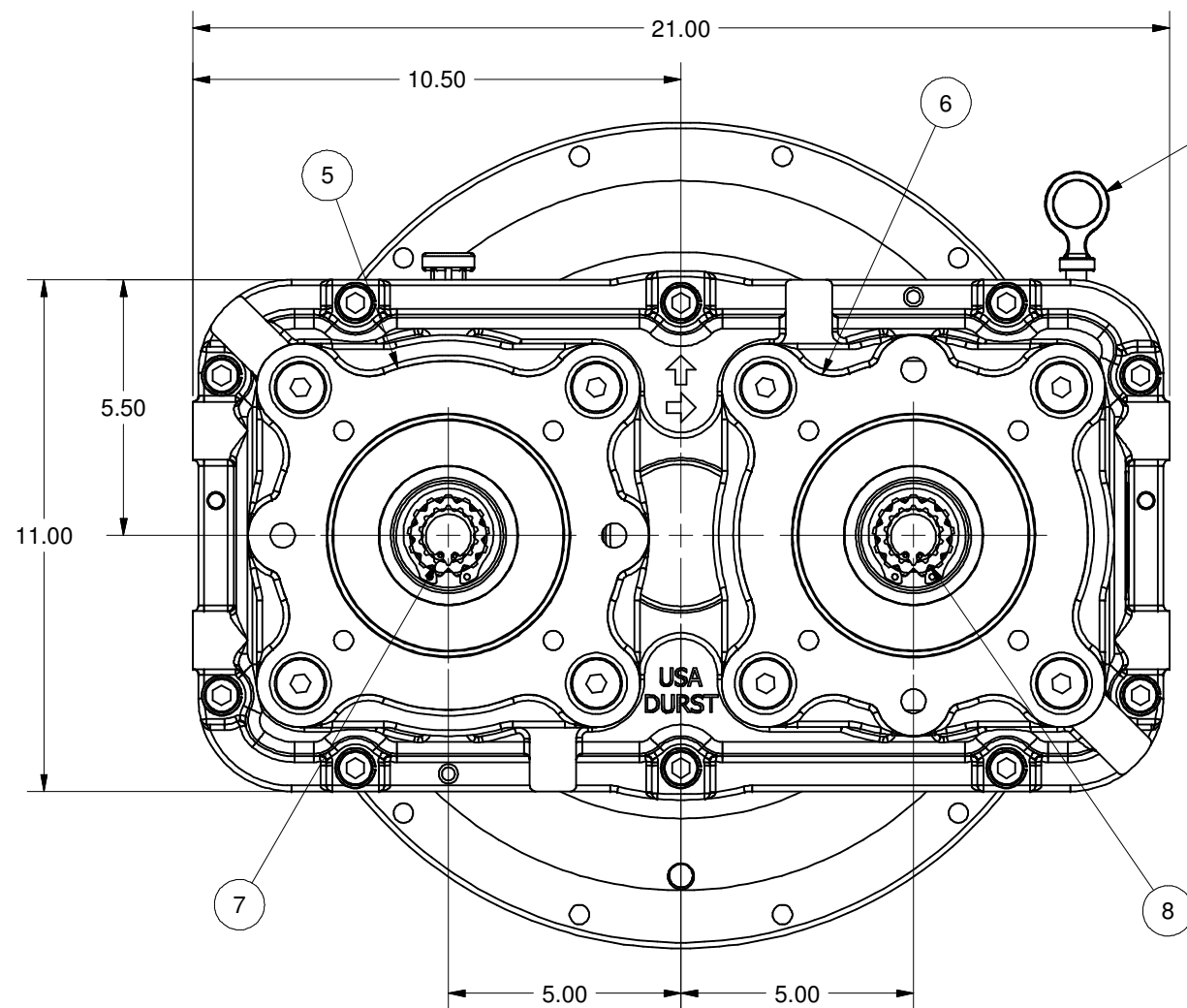
SAE Engine Adapter Options				2
SAE No.	Dim. A	Dim. B	Bolt Size & Qty.	
2	18.375	17.625	3/8-16 (12)	
3	16.875	16.125	3/8-16 (12)	
4	15.000	14.250	3/8-16 (12)	

SAE Drive Plate Options					3
SAE No.	Dim. C	Dim. D	Dim. G	Bolt Size & Qty.	
11.5	13.875	13.125	1.563	3/8-16 (8)	
10	12.375	11.625	2.125	3/8-16 (8)	
8	10.375	9.625	2.438	3/8-16 (8)	

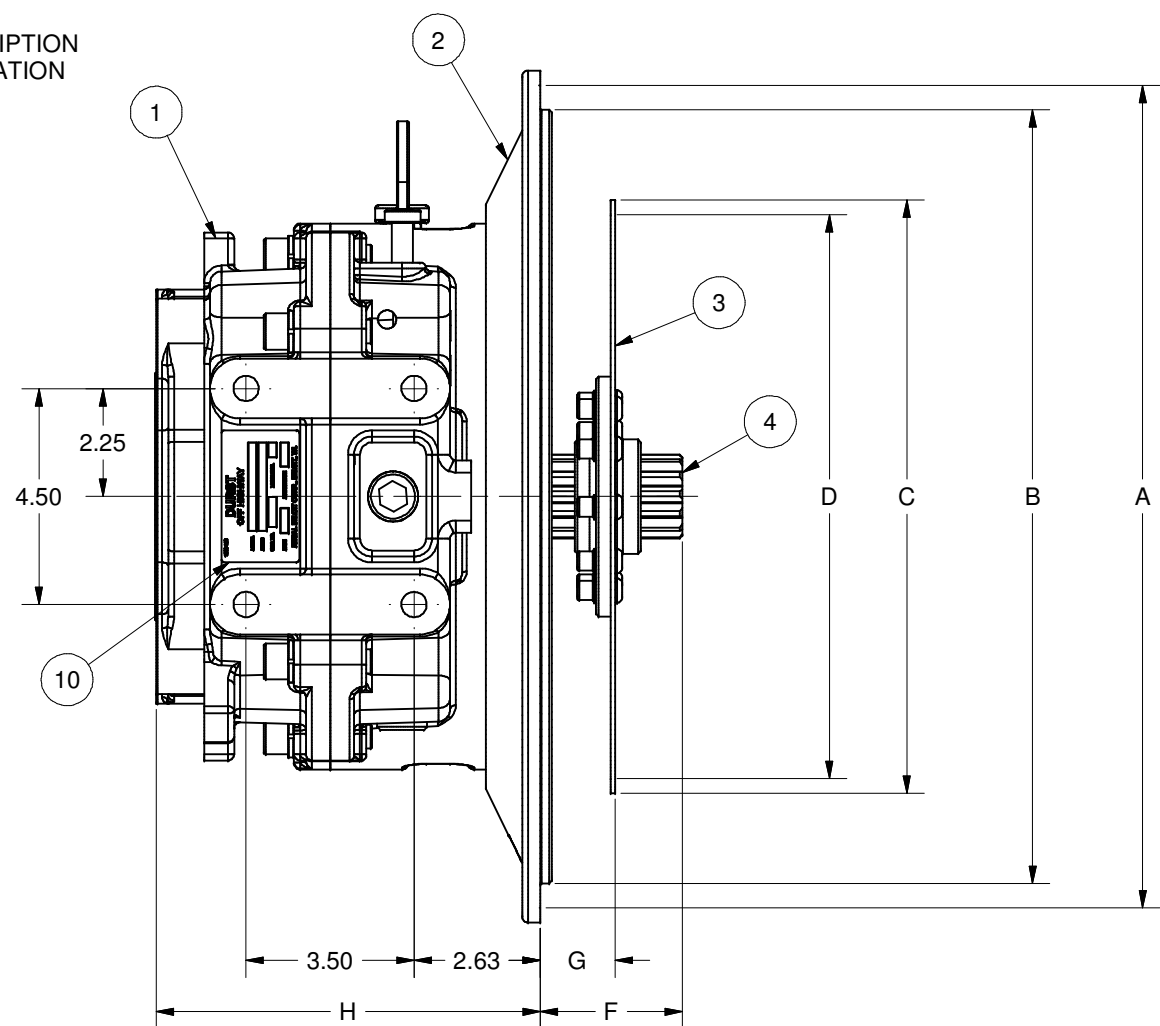
Input Shaft Options		4
Shaft Description	Dim. F	
13T-8/16	2.97	

SAE Pump Pad Adapters					5	6
SAE Size	Bolt Size & Qty.	Bolt Circle	Pilot Dia.	Dim. H		
A	3/8-16 (2)	4.187	3.25	8.00		
B	1/2-13 (2)	5.750	4.00	8.00		
B	1/2-13 (4)	5.000	4.00	8.00		
C	5/8-11 (2)	7.125	5.00	8.00		
C	1/2-13 (4)	6.375	5.00	8.00		
D	3/4-10 (4)	9.000	6.00	8.00		

SAE Pump Spline Adapters			7	8
SAE Size	Teeth & Pitch			
A	9T-16/32			
B	13T-16/32			
BB	15T-16/32			
C	14T-12/24			
D	13T-8/16			



9 SEE MODEL DESCRIPTION FOR DIPSTICK LOCATION



**NOTE:**

- 1) REFER TO ASSEMBLY BOOK FOR ADAPTER MOD DRAWINGS.
- 2) LUBRICATE ALL ORINGS PRIOR TO INSTALLATION.
- 3) APPLY SILVER STREAK #200S TO EXTERNAL SPLINES OF INPUT SHAFT.
- 4) USE LOCTITE 680 WHEN INSTALLING EXP. PLUG, P/N 012043.
- 5) USE LOCTITE 680 WHEN INSTALLING DIPSTICK, AND DIPSTICK HOLE PLUG, P/N 012326.
- 6) DO NOT USE LOCTITE ON FLAT HEAD PUMP PAD SCREWS.
- 7) TIGHTEN 1/2" SCREWS: 105 FT.LBS.
- 8) TIGHTEN 5/8" SCREWS: 210 FT.LBS.
- 9) OIL MUST MEET API GL-5 SPEC: 80W90, EP90 OR EQUIVALENT.
- 10) WHEN ORDERING PARTS REFER TO THE DURST SERVICE MANUAL.

**PATENT NO. 7,152,711**

**CAUTION**

Always insure that your powertrain is free of torsional vibrations. DURST is not responsible for damage or failure due to unaddressed torsional vibrations.

AMWF SEQUENCE NO.

ALL DIMENSIONS IN INCHES UNLESS OTHERWISE SPECIFIED: CASTINGS

ALLOW .12 FINISH STOCK ON MACHINED SURFACES. FILLETS AND RADII: 12 MAX.

MACHINING TOLERANCES  
 X ± .030    FRAC. ± 1/64  
 .XX ± .010    ANGLE ± 30'  
 .XXX ± .005    125° FINISH

THIS PRINT IS CONFIDENTIAL AND IS THE PROPERTY OF DURST, DIV. REGAL BELOIT CORP. THIS PRINT SHALL NOT BE USED, COPIED OR REPRODUCED IN WHOLE OR IN PART, NOR SHALL THE CONTENTS BE REVEALED IN ANY MANNER TO ANYONE, UNLESS WRITTEN PERMISSION IS OBTAINED FROM DURST, DIV. REGAL BELOIT CORP.

MATERIAL: \_\_\_\_\_ TITLE: **2PD05 DRIVE PLATE CHARTED DRAWING**

MODEL: \_\_\_\_\_ WHERE USED: N/A

SCALE: 1:2    THIRD ANGLE PROJECT

REV. 1    W.O. NO. 31501    ZONE \_\_\_\_\_    DESCRIPTION: RELEASED TO PRODUCTION    WEM    5/10/12    DATE

PART NO. **2PD05D**    SIZE D

