

Ratio Options	1
2PD06	
1.67 Dec.	
1.57 Dec.	
1.48 Dec.	
1.40 Dec.	
1.32 Dec.	
1.25 Dec.	
1.18 Dec.	
1.06 Dec.	
1:1	
1.06 Inc.	
1.18 Inc.	
1.25 Inc.	
1.32 Inc.	
1.40 Inc.	
1.48 Inc.	
1.57 Inc.	
1.67 Inc.	

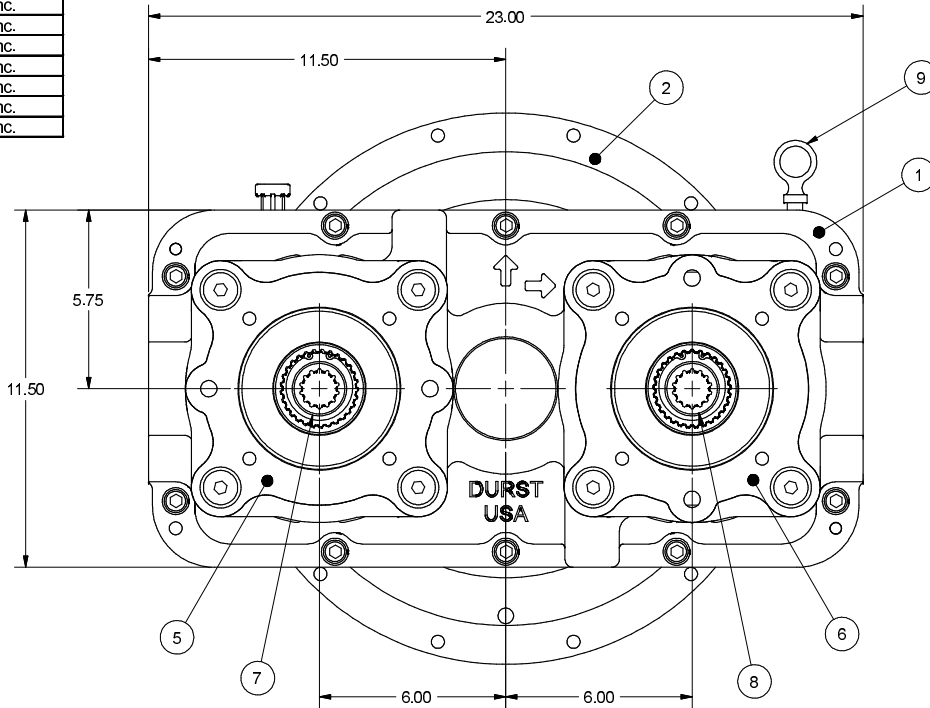
SAE Engine Adapter Options				2
SAE No.	Dim. A	Dim. B	Bolt Size & Qty.	
1	20.875	20.125	7/16-14 (12)	
2	18.375	17.625	3/8-16 (12)	
3	16.875	16.125	3/8-16 (12)	
4	15.000	14.250	3/8-16 (12)	

SAE Drive Plate Options				3
SAE No.	Dim. C	Dim. D	Dim. G	Bolt Size & Qty.
14	18.375	17.250	1.000	1/2-13 (8)
11.5	13.875	13.125	1.563	3/8-16 (8)
10	12.375	11.625	2.125	3/8-16 (8)
8	10.375	9.625	2.438	3/8-16 (6)

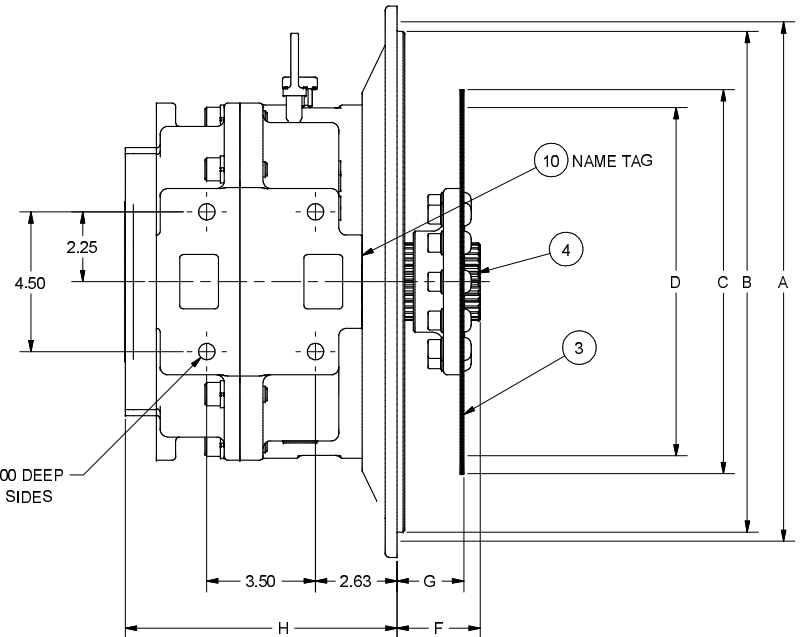
Input Shaft Options		4
Shaft Description	Dim. F	
29T-12/24	2.68	
20T-10/20	2.68	
15T-8/16	2.68	
2-1/2 Dia. Keyed	2.13	
2-1/4 Dia. Keyed	2.13	

SAE Pump Pad Adapters					5	6
SAE Size	Bolt Size & Qty.	Bolt Circle	Pilot Dia.	Dim. H		
A	3/8-16 (2)	4.187	3.25	8.75		
B	1/2-13 (2)	5.750	4.00	8.75		
B	1/2-13 (4)	5.000	4.00	8.75		
C	5/8-11 (2)	7.125	5.00	8.75		
C	1/2-13 (4)	6.375	5.00	8.75		
D	3/4-10 (4)	9.000	6.00	8.75		
D2	3/4-10 (2)	9.000	6.00	8.88		
E	3/4-10 (4)	12.500	6.50	8.88		
F	1.00-8 (4)	13.781	7.00	9.25		

SAE Pump Spline Adapters			7	8
SAE Size	Teeth & Pitch			
A	9T-16/32			
B	13T-16/32			
BB	15T-16/32			
C	14T-12/24			
CC	17T-12/24			
D	13T-8/16			
F	15T-8/16			
21	21T-16/32			
23	23T-16/32			
27	27T-16/32			



SEE MODEL DESCRIPTION FOR DIPSTICK LOCATION



5/8-11 UNC X 1.00 DEEP (4) PLCS. BOTH SIDES

NOTE:

- REFER TO ASSEMBLY BOOK FOR ADAPTER MOD DRAWINGS.
- LUBRICATE ALL ORINGS PRIOR TO INSTALLATION.
- APPLY SILVER STREAK #200S TO EXTERNAL SPLINES OF INPUT SHAFT.
- USE LOCTITE 609 WHEN INSTALLING EXP. PLUG, P/N 012043.
- USE LOCTITE 609 WHEN INSTALLING DIPSTICK, AND DIPSTICK HOLE PLUG, P/N 012326.
- DO NOT USE LOCTITE ON PUMP PAD SCREWS.
- TIGHTEN 1/2" SCREWS: 105 FT. LBS.
- TIGHTEN 5/8" SCREWS: 210 FT. LBS.
- OIL MUST MEET API GL-5 SPEC: 80W90, EP90 OR EQUIVALENT.
- WHEN ORDERING PARTS REFER TO THE DURST SERVICE MANUAL.

PATENT NO. 7,152,711

**CAUTION**

Always insure that your powertrain is free of torsional vibrations. DURST is not responsible for damage or failure due to unaddressed torsional vibrations.

REV.	W.D. NO.	ZONE	DESCRIPTION	BY	DATE	DRAWN BY	DATE	SCALE	THIRD ANGLE PROJECT	PART NO.	SEE D
4	27419		ADDED 1.06 RATIOS AND PATENT NO.	WEM	5/22/07						
3	25834		UPDATED SPLINE CHART	NJS	11/09/04						
2	25757		ADDED 1.25 INC AND DEC RATIOS	NJS	10/08/04						
1	24680		RELEASED TO PRODUCTION	NJS	9/01/04						

ALL DIMENSIONS IN INCHES UNLESS OTHERWISE SPECIFIED. DECIMALS ALLOW 12 FINISH STOCK ON MACHINED SURFACES. FILLETS AND RADII: 12 MAX. UNLESS OTHERWISE SPECIFIED.		THIS PRINT IS CONFIDENTIAL AND IS THE PROPERTY OF DURST, DM, REGAL BELOF CORP. THIS PRINT SHALL NOT BE USED, COPIED, OR REPRODUCED IN WHOLE OR IN PART, NOR SHALL THE CONTENTS BE REVEALED IN ANY MANNER TO ANYONE UNLESS WRITTEN PERMISSION IS OBTAINED FROM DURST, DM, REGAL BELOF CORP.	
X = 00	FRAC = 1/64	ANGLE = 30	FINISH
XX = 0.0	3333 = 0.05		
MODEL	WHERE USED		
	N/A		
MATERIAL		TITLE	
		2PD06 DRIVE PLATE CHARTED DRAWING	
SCALE 1:2		PART NO. 2PD06D	