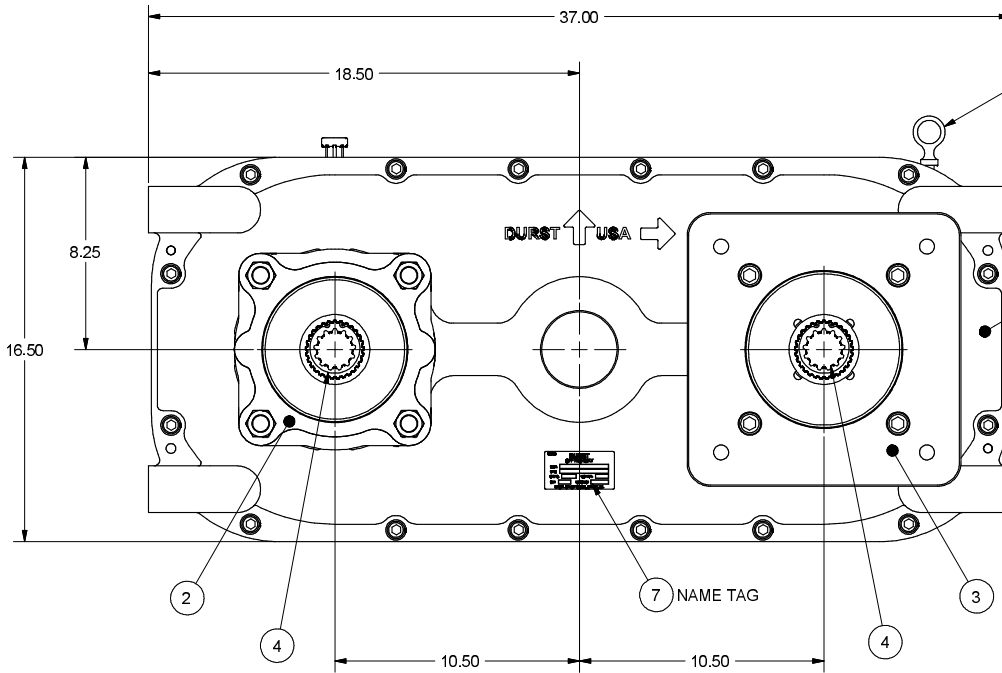


Ratio Options	1
2PD10	
1.38 Dec.	
1.29 Dec.	
1.21 Dec.	
1:1	
1.21 Inc.	
1.29 Inc.	
1.38 Inc.	

Input Shaft Options	2
Shaft Description	Dim. F
1810 Companion	2.62
1610 Companion	2.62
2-1/2 Dia. Keyed	3.25
2-1/4 Dia. Keyed	3.25
29T-12/24	3.80
20T-10/20	3.80
15T-8/16	3.80
1550 Companion	2.62

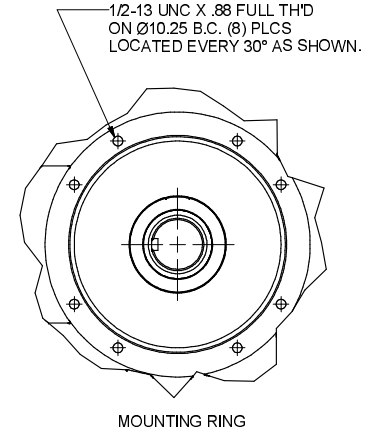
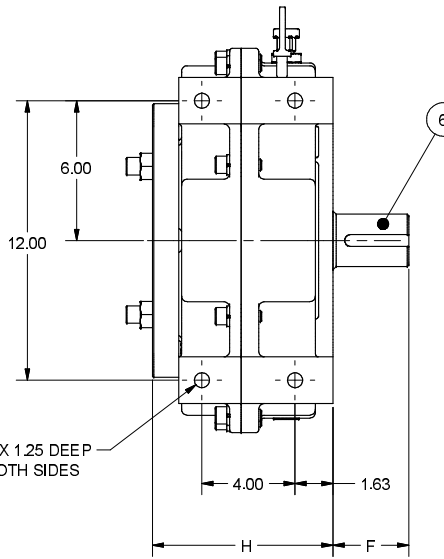
SAE Pump Pad Adapters					3	4
SAE Size	Bolt Size & Qty.	Bolt Circle	Pilot Dia.	Dim. H		
A	3/8-16 (2)	4.187	3.25	7.63		
B	1/2-13 (2)	5.750	4.00	7.63		
B	1/2-13 (4)	5.000	4.00	7.63		
C	5/8-11 (2)	7.125	5.00	7.63		
C	1/2-13 (4)	6.375	5.00	7.63		
D	3/4-10 (4)	9.000	6.00	7.63		
D2	3/4-10 (2)	9.000	6.00	7.75		
E	3/4-10 (4)	12.500	6.50	7.75		
F	1.00-8 (4)	13.781	7.00	8.13		

SAE Pump Spline Adapters		5	6
SAE Size	Teeth & Pitch		
A	9T-16/32		
B	13T-16/32		
BB	15T-16/32		
C	14T-12/24		
CC	17T-12/24		
D	13T-8/16		
F	15T-8/16		
21	21T-16/32		
23	23T-16/32		
27	27T-16/32		



5 SEE MODEL DESCRIPTION FOR DIPSTICK LOCATION

3/4-10 UNC X 1.25 DEEP (4) PLCS. BOTH SIDES



- NOTE:
- REFER TO ASSEMBLY BOOK FOR ADAPTER MOD DRAWINGS.
 - LUBRICATE ALL ORINGS PRIOR TO INSTALLATION.
 - APPLY SILVER STREAK #200S TO EXTERNAL SPLINES OF INPUT SHAFT.
 - USE LOCTITE 609 WHEN INSTALLING EXP. PLUG, P/N 012043.
 - USE LOCTITE 609 WHEN INSTALLING DIPSTICK AND DIPSTICK HOLE PLUG, P/N 012326.
 - DO NOT USE LOCTITE ON PUMP PAD SCREWS.
 - TIGHTEN 1/2" SCREWS: 105 FT.LBS.
 - TIGHTEN 5/8" SCREWS: 210 FT.LBS.
 - OIL MUST MEET API GL-5 SPEC: 80W90, EP90 OR EQUIVALENT.
 - WHEN ORDERING PARTS REFER TO THE DURST SERVICE MANUAL.

PATENT NO. 7,152,711

CAUTION
Always insure that your powertrain is free of torsional vibrations. DURST is not responsible for damage or failure due to unaddressed torsional vibrations.

REV.	W.D.	ZONE	DESCRIPTION	BY	DATE
5			UPDATE DRAWING	WEM	01/07
4	27446		REVISE NOTE 9, ADD PATEN NO.	WEM	06/07
3	25834		UPDATED SPLINE CHART	NJS	11/05/04
2	25742		UPDATED NOTES	NJS	10/12/04
1	24660		RELEASED TO PRODUCTION	NJS	02/7/04

ALL DIMENSIONS IN INCHES UNLESS OTHERWISE SPECIFIED. CASTINGS ALLOW .12 FINISH STOCK ON MACHINED SURFACES. FLEETS AND RADII: 12 MAX. WASHINGTON TOOL & DIE CO.		THIS PRINT IS CONFIDENTIAL AND IS THE PROPERTY OF DURST. DM REGAL BELCO CORP. THIS PRINT SHALL NOT BE USED, COPIED OR REPRODUCED IN WHOLE OR IN PART, NOR SHALL THE CONTENTS BE REVEALED IN ANY MANNER TO ANYONE UNLESS WRITTEN PERMISSION IS OBTAINED FROM DURST. DM REGAL BELCO CORP.		 DIVISION OF REGAL BELCO CORP. P.O. BOX 290 BELLEVILLE, MISSOURI 63811	
MATERIAL	TITLE	SCALE	THIRD ANGLE PROJECT	PART NO.	SEE D
	2PD10 INDEPENDENT CHARTED DRAWING	3 : 8		2PD10I	