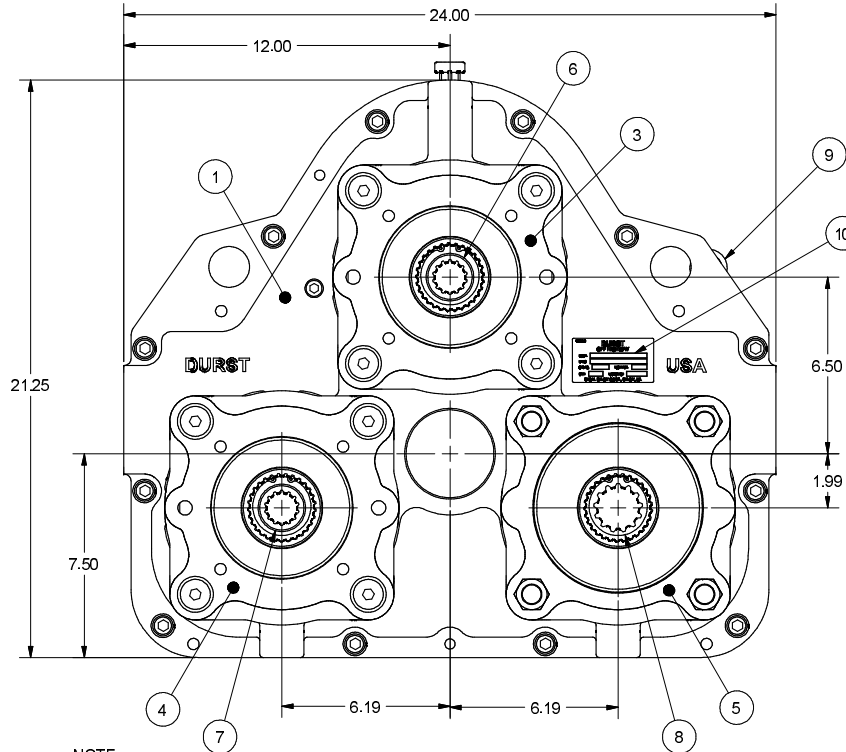


Ratio Options	1
3PD06	
1.36 Dec.	
1.29 Dec.	
1.17 Dec	
1:1	
1.17 Inc.	
1.29 Inc.	
1.36 Inc.	
1.52 Inc.	

Input Shaft Options		2
Shaft Description	Dim. F	
1810 Companion	2.62	
1610 Companion	2.62	
2-1/2 Dia. Keyed	3.25	
2-1/4 Dia. Keyed	3.25	
29T-12/24	3.80	
20T-10/20	3.80	
15T-8/16	3.80	
1550 Companion	2.62	

SAE Pump Pad Adapters					3	4	5
SAE Size	Bolt Size & Qty.	Bolt Circle	Pilot Dia.	Dim. H			
A	3/8-16 (2)	4.187	3.25	7.63			
B	1/2-13 (2)	5.750	4.00	7.63			
B	1/2-13 (4)	5.000	4.00	7.63			
C	5/8-11 (2)	7.125	5.00	7.63			
C	1/2-13 (4)	6.375	5.00	7.63			
D	3/4-10 (4)	9.000	6.00	7.63			

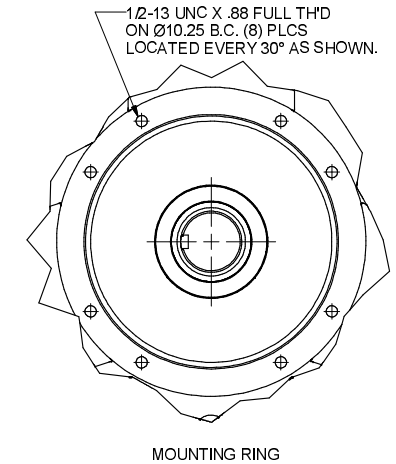
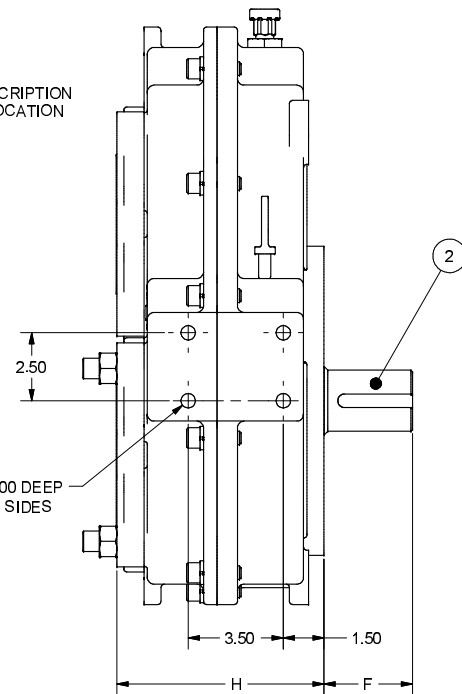
SAE Pump Spline Adapters				6	7	8	9
SAE Size	Teeth & Pitch						
A	9T-16/32						
B	13T-16/32						
BB	15T-16/32						
C	14T-12/24						
CC	17T-12/24						
D	13T-8/16						
F	15T-8/16						
21	21T-16/32						
23	23T-16/32						
27	27T-16/32						



9 SEE MODEL DESCRIPTION FOR DIPSTICK LOCATION

10 NAME TAG

5/8-11 UNC X 1.00 DEEP
(4) PLCS. BOTH SIDES



NOTE:

- 1) REFER TO ASSEMBLY BOOK FOR ADAPTER MOD DRAWINGS.
- 2) LUBRICATE ALL ORINGS PRIOR TO INSTALLATION.
- 3) APPLY SILVER STREAK #200S TO EXTERNAL SPLINES OF INPUT SHAFT.
- 4) USE LOCTITE 609 WHEN INSTALLING EXP. PLUG, P/N 012043.
- 5) USE LOCTITE 609 WHEN INSTALLING DIPSTICK, AND DIPSTICK HOLE PLUG, P/N 012326.
- 6) DO NOT USE LOCTITE ON PUMP PAD SCREWS.
- 7) TIGHTEN 1/2" SCREWS: 105 FT.LBS.
- 8) TIGHTEN 5/8" SCREWS: 210 FT.LBS.
- 9) OIL MUST MEET API GL-5 SPEC: 80W/90, EP90 OR EQUIVALENT.
- 10) WHEN ORDERING PARTS REFER TO THE DURST SERVICE MANUAL.

PATENT NO. 7,152,711

CAUTION

Always insure that your powertrain is free of torsional vibrations. DURST is not responsible for damage or failure due to unaddressed torsional vibrations.

REV	W.O. NO.	ZONE	DESCRIPTION	BY	DATE	DRAWN BY	DATE	SCALE	THIRD ANGLE PROJECT	TITLE	PART NO.	SEE D
5			UPDATE DRAWING	WEM	7/31/07							
4	27444		REVISE NOTE 9, ADD PATENT NO.	WEM	6/5/07							
3	25834		UPDATED SPLINE CHART	NJS	11/05/04							
2	25742		UPDATED NOTES	NJS	10/12/04							
1	24580		RELEASED TO PRODUCTION	NJS	8/27/04							

ALL DIMENSIONS IN INCHES UNLESS OTHERWISE SPECIFIED. CASTINGS ALLOW .12 FINISH STOCK ON MACHINED SURFACES. RILETS AND RADII: 12 MAX. MACHINING TOLERANCES: X = .00 FIVE = .004 XX = .00 ANGLE = 30° 320A: 100S FIVE		THIS PRINT IS CONFIDENTIAL AND IS THE PROPERTY OF DURST. DM REGAL BELoit CORP. THIS PRINT SHALL NOT BE USED, COPIED, OR REPRODUCED IN WHOLE OR IN PART, NOR SHALL THE CONTENTS BE REVEALED IN ANY MANNER TO ANYONE UNLESS WRITTEN PERMISSION IS OBTAINED FROM DURST. DM REGAL BELoit CORP.		 DIVISION OF REGAL BELoit CORP. P.O. BOX 290 BELoit, WISCONSIN 53511	
MATERIAL		TITLE	3PD06 INDEPENDENT CHARTED DRAWING		
		PART NO.	3PD06I		