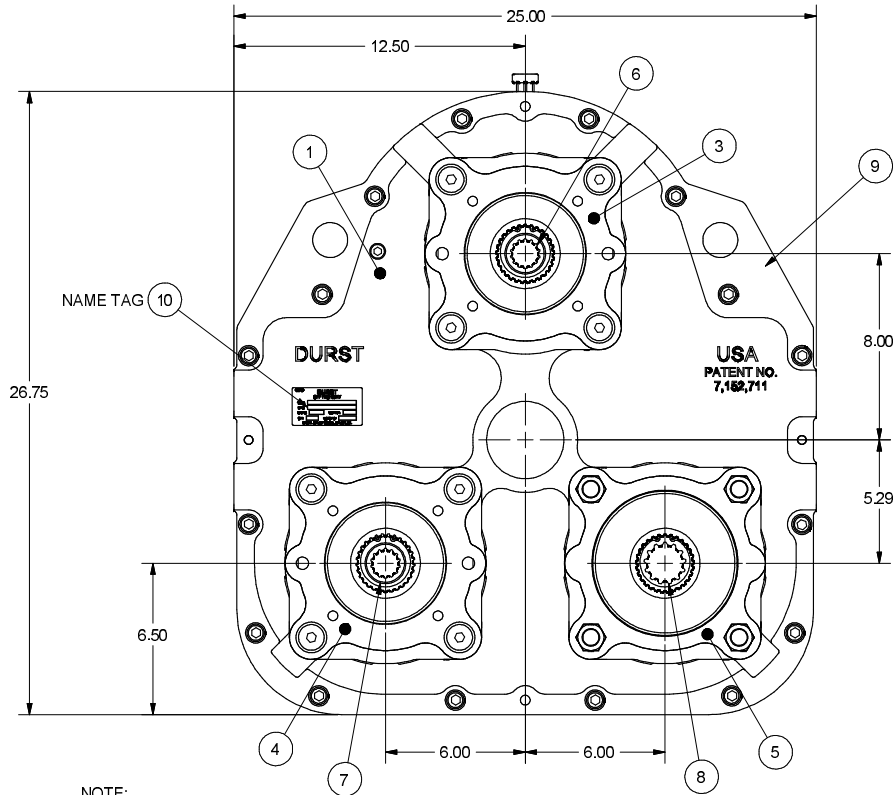


Ratio Options	1
3PD08	
1.40 Dec.	
1.34 Dec.	
1.23 Dec.	
1.13 Dec.	
1:1	
1.13 Inc.	
1.23 Inc.	
1.34 Inc.	
1.40 Inc.	
1.53 Inc.	

Input Shaft Options	2
Shaft Description	Dim. F
1810 Companion	2.62
1810 Companion	2.62
2-1/2 Dia. Keyed	3.25
2-1/4 Dia. Keyed	3.25
20T-12/24	3.80
20T-10/20	3.80
15T-9/16	3.80
1550 Companion	2.62

SAE Pump Pad Adapters	3	4	5
SAE Size	Bolt Size & Qty.	Bolt Circle	Pilot Dia. H
A	3/8-16 (2)	4.187	3.25 7.63
B	1/2-13 (2)	5.750	4.00 7.63
B	1/2-13 (4)	5.000	4.00 7.63
C	5/8-11 (2)	7.125	5.00 7.63
C	1/2-13 (4)	6.375	5.00 7.63
D	3/4-10 (4)	9.000	6.00 7.63
D2	3/4-10 (2)	9.000	6.00 7.75
E	3/4-10 (4)	12.500	6.50 7.75
F	1.00-8 (4)	13.781	7.00 8.13

SAE Pump Spline Adapters	6	7	8
SAE Size	Teeth & Pitch		
A	9T-18/32		
B	13T-16/32		
BB	15T-16/32		
C	14T-12/24		
CC	17T-12/24		
D	13T-8/16		
F	15T-8/16		
21	21T-18/32		
22	23T-18/32		
27	27T-18/32		



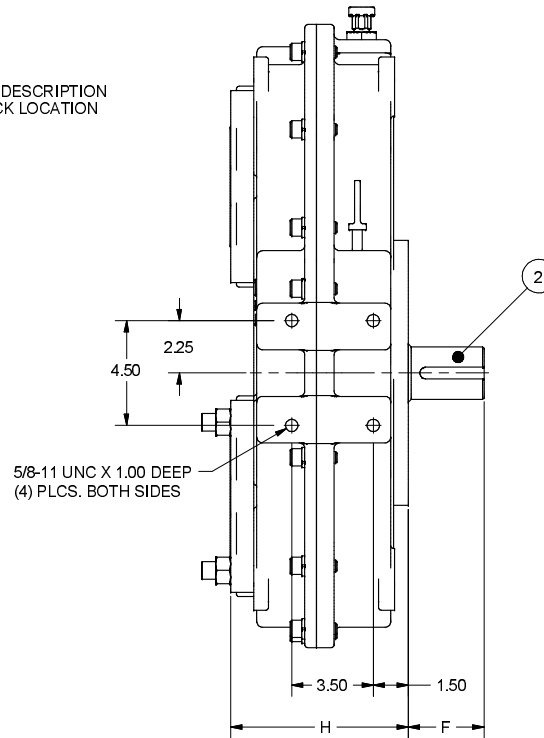
NOTE:

- REFER TO ASSEMBLY BOOK FOR ADAPTER MOD DRAWINGS.
- LUBRICATE ALL ORINGS PRIOR TO INSTALLATION.
- APPLY SILVER STREAK #200S TO EXTERNAL SPLINES OF INPUT SHAFT.
- USE LOCTITE 609 WHEN INSTALLING EXP. PLUG, P/N 012043.
- USE LOCTITE 609 WHEN INSTALLING DIPSTICK, AND DIPSTICK HOLE PLUG, P/N 012326.
- DO NOT USE LOCTITE ON PUMP PAD SCREWS.
- TIGHTEN 1/2" SCREWS: 105 FT.-LBS.
- TIGHTEN 5/8" SCREWS: 210 FT.-LBS.
- OIL MUST MEET API GL-5 SPEC: 80W/90, EP90 OR EQUIVALENT.
- WHEN ORDERING PARTS REFER TO THE DURST SERVICE MANUAL.

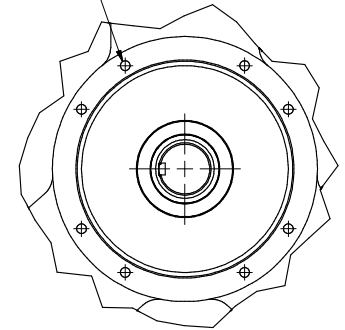
PATENT NO. 7,152,711

CAUTION

Always insure that your powertrain is free of torsional vibrations. DURST is not responsible for damage or failure due to unaddressed torsional vibrations.



1/2-13 UNC X .88 FULL TH'D
ON Ø10.25 B.C. (8) PLCS
LOCATED EVERY 30° AS SHOWN.



MOUNTING RING

REF

<table border="1"> <tr><td>5</td><td>2746</td><td>ADDED 1:13 RATIOS</td><td>KTS</td><td>12/407</td></tr> <tr><td>4</td><td>2746</td><td>REVISE NOTE 5, ADD PATENT NO.</td><td>WEM</td><td>6/6/07</td></tr> <tr><td>3</td><td>2884</td><td>UPDATED SPLINE CHART</td><td>NJS</td><td>11/05/04</td></tr> <tr><td>2</td><td>28742</td><td>UPDATED NOTES</td><td>NJS</td><td>10/12/04</td></tr> <tr><td>1</td><td>2660</td><td>RELEASED TO PRODUCTION</td><td>NJS</td><td>8/27/04</td></tr> </table>				5	2746	ADDED 1:13 RATIOS	KTS	12/407	4	2746	REVISE NOTE 5, ADD PATENT NO.	WEM	6/6/07	3	2884	UPDATED SPLINE CHART	NJS	11/05/04	2	28742	UPDATED NOTES	NJS	10/12/04	1	2660	RELEASED TO PRODUCTION	NJS	8/27/04	<p>ALL DIMENSIONS IN INCHES UNLESS OTHERWISE SPECIFIED. CASTINGS ALLOW .12 IN. IN STOCK ON MACHINED SURFACES. RILETS AND RADII: 12 MAX. MACHINING TOLERANCES:</p> <p>X = ±.005 FRACTION = .004 XX = ±.00 ANGLE = 30° XXX = .005 15°/FINISH</p>		<p>THIS PRINT IS CONFIDENTIAL AND IS THE PROPERTY OF DURST. DIV. REGAL BELLOF CORP. THIS PRINT SHALL NOT BE USED, COPIED OR REPRODUCED IN WHOLE OR IN PART. NOR SHALL THE CONTENTS BE REVEALED IN ANY MANNER TO ANYONE UNLESS WRITTEN PERMISSION IS OBTAINED FROM DURST. DIV. REGAL BELLOF CORP.</p>		<p>AMF/SEQUENCE NO.</p>	
5	2746	ADDED 1:13 RATIOS	KTS	12/407																														
4	2746	REVISE NOTE 5, ADD PATENT NO.	WEM	6/6/07																														
3	2884	UPDATED SPLINE CHART	NJS	11/05/04																														
2	28742	UPDATED NOTES	NJS	10/12/04																														
1	2660	RELEASED TO PRODUCTION	NJS	8/27/04																														
<table border="1"> <tr><th>REV.</th><th>W/O.</th><th>ZONE</th><th>DESCRIPTION</th><th>BY</th><th>DATE</th></tr> </table>				REV.	W/O.	ZONE	DESCRIPTION	BY	DATE	<p>MATERIAL</p>		<p>TITLE</p>																						
REV.	W/O.	ZONE	DESCRIPTION	BY	DATE																													
<p>SCALE 3 : 8</p>				<p>THIRD ANGLE PROJECT</p>		<p>DURST DIVISION OF REGAL BELLOF CORP. P.O. BOX 298 BELLOF, WISCONSIN 53511</p>																												
<p>3PD08 INDEPENDENT CHARTED DRAWING</p>				<p>PART NO. 3PD08I</p>		<p>SEE 0</p>																												