

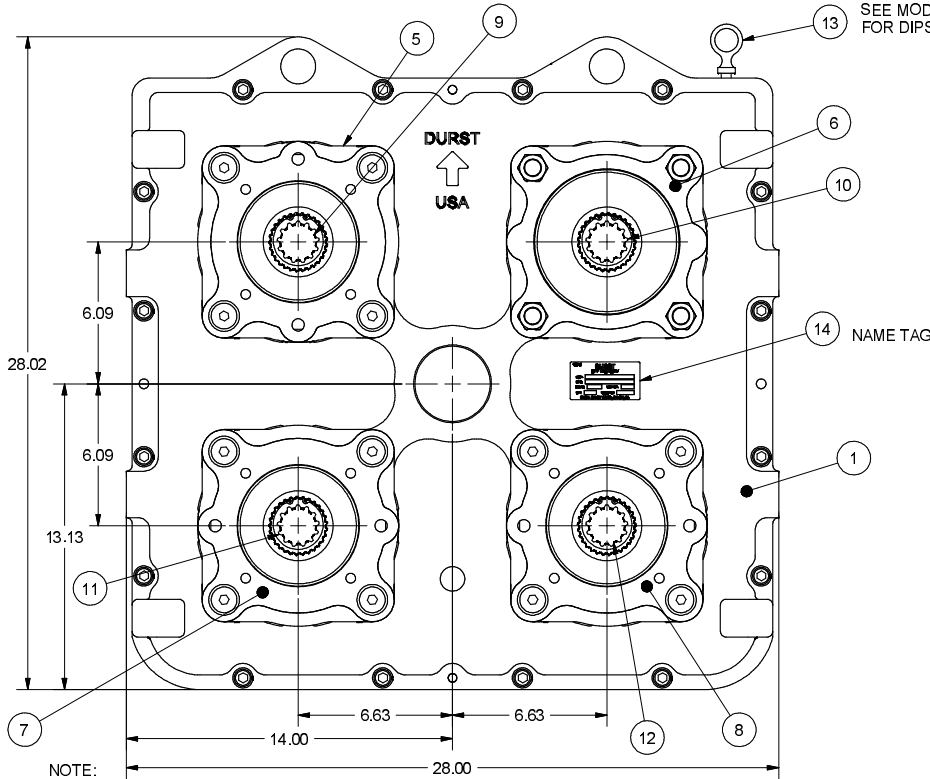
Ratio Options	1
4PD09	
1.40 Dec.	
1.30 Dec.	
1.20 Dec.	
1:1	
1.20 Inc.	
1.30 Inc.	
1.40 Inc.	
1.70 Inc.	

SAE Engine Adapter Options				2
SAE No.	Dim. A	Dim. B	Bolt Size & Qty.	
1	20.875	20.125	7/16-14 (12)	
2	18.375	17.625	3/8-16 (12)	
3	16.875	16.125	3/8-16 (12)	
4	15.000	14.250	3/8-16 (12)	

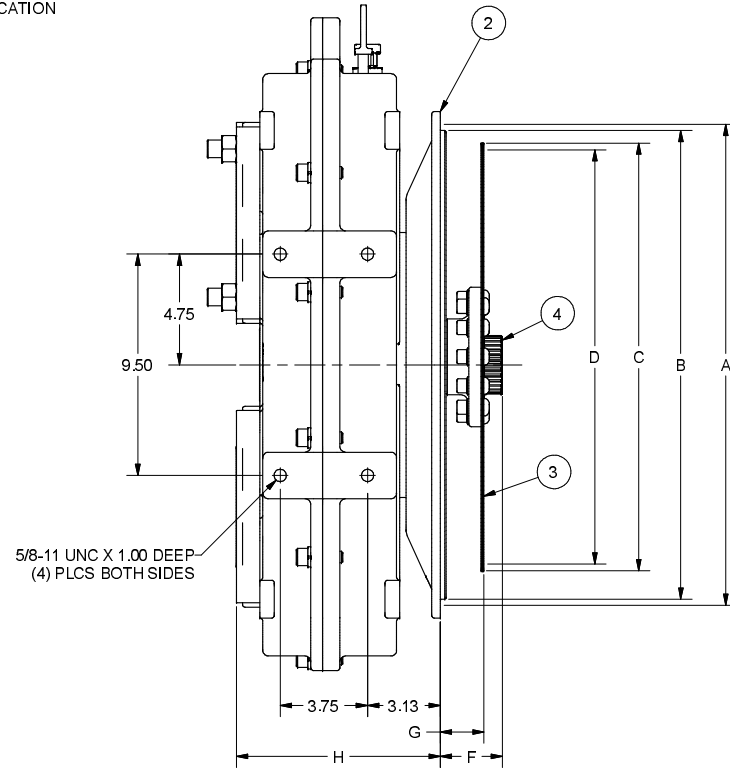
SAE Drive Plate Options					3
SAE No.	Dim. C	Dim. D	Dim. G	Bolt Size & Qty.	
14	18.375	17.250	1.000	1/2-13 (8)	
11.5	13.875	13.125	1.563	3/8-16 (8)	
10	12.375	11.625	2.125	3/8-16 (8)	
8	10.375	9.625	2.438	3/8-16 (6)	

SAE Pump Pad Adapters					5	6	7	8
SAE Size	Bolt Size & Qty.	Bolt Circle	Pilot Dia.	Dim. H				
A	3/8-16 (2)	4.187	3.25	8.75				
B	1/2-13 (2)	5.750	4.00	8.75				
B	1/2-13 (4)	5.000	4.00	8.75				
C	5/8-11 (2)	7.125	5.00	8.75				
C	1/2-13 (4)	6.375	5.00	8.75				
D	3/4-10 (4)	9.000	6.00	8.75				
D2	3/4-10 (2)	9.000	6.00	8.88				
E	3/4-10 (4)	12.500	6.50	8.88				
F	1.00-8 (4)	13.781	7.00	9.25				

SAE Pump Spline Adapters		9	10	11	12
SAE Size	Teeth & Pitch				
A	9T-16/32				
B	13T-16/32				
BB	15T-16/32				
C	14T-12/24				
CC	17T-12/24				
D	13T-8/16				
F	15T-8/16				
21	21T-16/32				
23	23T-16/32				
27	27T-16/32				



SEE MODEL DESCRIPTION FOR DIPSTICK LOCATION



- 1) REFER TO ASSEMBLY BOOK FOR ADAPTER MOD DRAWINGS.
- 2) LUBRICATE ALL ORINGS PRIOR TO INSTALLATION.
- 3) APPLY SILVER STREAK #200S TO EXTERNAL SPLINES OF INPUT SHAFT.
- 4) USE LOCTITE 609 WHEN INSTALLING EXP. PLUG, P/N 012043.
- 5) USE LOCTITE 609 WHEN INSTALLING DIPSTICK, AND DIPSTICK HOLE PLUG, P/N 012326.
- 6) DO NOT USE LOCTITE ON PUMP PAD SCREWS.
- 7) TIGHTEN 1/2" SCREWS: 105 FT.LBS.
- 8) TIGHTEN 5/8" SCREWS: 210 FT.LBS.
- 9) OIL MUST MEET API GL-5 SPEC: 80W90, EP90 OR EQUIVALENT.
- 10) WHEN ORDERING PARTS REFER TO THE DURST SERVICE MANUAL.

PATENT NO. 7,152,711

**CAUTION**

Always insure that your powertrain is free of torsional vibrations. DURST is not responsible for damage or failure due to unaddressed torsional vibrations.

REV	NO.	DATE	DESCRIPTION	BY	NAME	DATE	DESCRIPTION	SCALE	TITLE	PART NO.	SIZE	
3	27454		ADDED INSTALLATION DIMENSIONS	WEM	8/4/07				ALL DIMENSIONS IN INCHES UNLESS OTHERWISE SPECIFIED. ALLOWED DIMENSIONAL TOLERANCES: UNFINISHED SURFACES: ±0.005 FINISHED SURFACES: ±0.002 HOLE AND DIMENSIONS TO HOLE: ±0.002 HOLE AND DIMENSIONS TO HOLE: ±0.002 X ± 0.030 FRAC ± 1/64 XX ± 0.010 ANGLE ± 30' XXX ± 0.005 ± 1/32 FINISH	THIS PRINT IS CONFIDENTIAL AND IS THE PROPERTY OF DURST, DIV. OF REGAL BELOFT CORP. THIS PRINT SHALL NOT BE USED, COPIED, OR REPRODUCED IN WHOLE OR IN PART. NOR SHALL THE CONTENTS BE REVEALED IN ANY MANNER TO ANYONE UNLESS WRITTEN PERMISSION IS OBTAINED FROM DURST, DIV. REGAL BELOFT CORP.	<b>DURST</b> DIVISION OF REGAL BELOFT CORP. P.O. BOX 127 BELOFT, WISCONSIN 53511	TITLE <b>4PD09 DRIVE PLATE CHARTED DRAWING</b>
2	27444	REVISE NOTE 8, ADD PATENT NO.	WEM	6/5/07								
1	26280		RELEASED TO PRODUCTION	TMS	6/2/05							
MATERIAL:										PART NO. <b>4PD09D</b>		
SCALE: 3/8" = 1"										SIZE <b>D</b>		