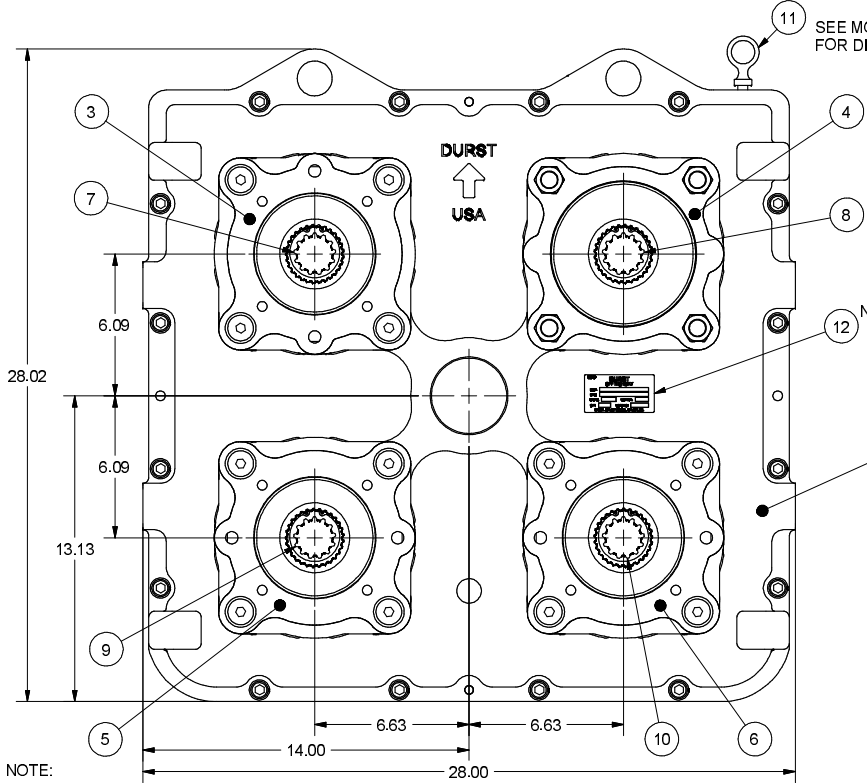


Ratio Options 1	
4PD09	
1.40 Dec.	
1.30 Dec.	
1.20 Dec.	
1:1	
1.20 Inc.	
1.30 Inc.	
1.40 Inc.	
1.70 Inc.	

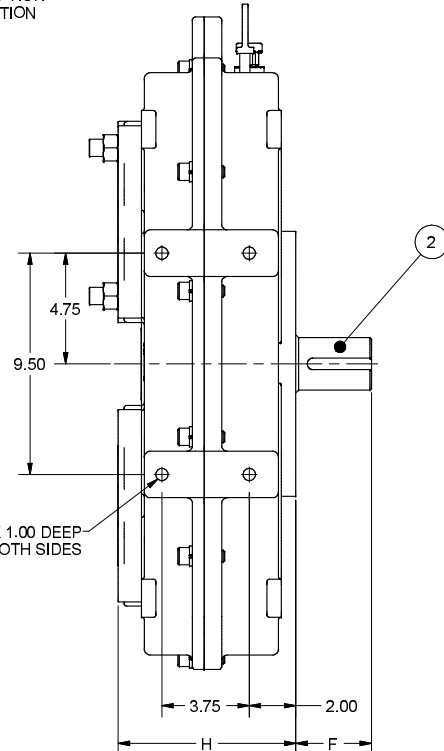
Input Shaft Options 2	
Shaft Description	Dim. F
1810 Companion	2.62
1610 Companion	2.62
2-1/2 Dia. Keyed	3.25
2-1/4 Dia. Keyed	3.25
29T-12/24	3.80
20T-10/20	3.80
15T-8/16	3.80
1550 Companion	2.62

SAE Pump Pad Adapters 3				
SAE Size	Bolt Size & Qty.	Bolt Circle	Pilot Dia.	Dim. H
A	3/8-16 (2)	4.187	3.25	7.63
B	1/2-13 (2)	5.750	4.00	7.63
B	1/2-13 (4)	5.000	4.00	7.63
C	5/8-11 (2)	7.125	5.00	7.63
C	1/2-13 (4)	6.375	5.00	7.63
D	3/4-10 (4)	9.000	6.00	7.63
D2	3/4-10 (2)	9.000	6.00	7.75
E	3/4-10 (4)	12.500	6.50	7.75
F	1.00-8 (4)	13.781	7.00	8.13

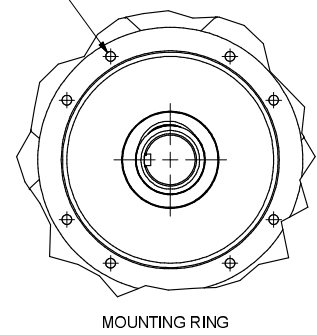
SAE Pump Spine Adapters 7	
SAE Size	Teeth & Pitch
A	9T-16/32
B	13T-16/32
BB	15T-16/32
C	14T-12/24
CC	17T-12/24
D	13T-8/16
F	15T-8/16
21	21T-16/32
23	23T-16/32
27	27T-16/32



SEE MODEL DESCRIPTION FOR DIPSTICK LOCATION



1/2-13 UNC X .88 FULL TH'D ON Ø10.25 B.C. (8) PLCS LOCATED EVERY 30° AS SHOWN.



MOUNTING RING

5/8-11 UNC X 1.00 DEEP (4) PLCS BOTH SIDES

- NOTE:
- REFER TO ASSEMBLY BOOK FOR ADAPTER MOD DRAWINGS.
 - LUBRICATE ALL ORINGS PRIOR TO INSTALLATION.
 - APPLY SILVER STREAK #200S TO EXTERNAL SPLINES OF INPUT SHAFT.
 - USE LOCTITE 609 WHEN INSTALLING EXP. PLUG, P/N 012043.
 - USE LOCTITE 609 WHEN INSTALLING DIPSTICK, AND DIPSTICK HOLE PLUG, P/N 012326.
 - DO NOT USE LOCTITE ON PUMP PAD SCREWS.
 - TIGHTEN 1/2" SCREWS: 105 FT.LBS.
 - TIGHTEN 5/8" SCREWS: 210 FT.LBS.
 - OIL MUST MEET API GL-5 SPEC: 80W90, EP90 OR EQUIVALENT.
 - WHEN ORDERING PARTS REFER TO THE DURST SERVICE MANUAL.

PATENT NO. 7,152,711

CAUTION

Always insure that your powertrain is free of torsional vibrations. DURST is not responsible for damage or failure due to unaddressed torsional vibrations.

4		UPDATE DRAWING		WEM	8/1/07	ALL DIMENSIONS IN INCHES UNLESS OTHERWISE SPECIFIED. ALLOWED OFFSHORE STOCK ON MOUNTED SURFACES. FILED AND DATED 12/18/06. X = 0.030 FRAC = 1/64		THIS PRINT IS CONFIDENTIAL AND IS THE PROPERTY OF DURST, DIV. OF REGAL BELLOTT CORP. THIS PRINT SHALL NOT BE USED, COPIED, OR REPRODUCED IN WHOLE OR IN PART. NOR SHALL THE CONTENTS BE REVEALED IN ANY MANNER TO ANYONE UNLESS WRITTEN PERMISSION IS OBTAINED FROM DURST, DIV. REGAL BELLOTT CORP.		MATERIAL		TITLE	
3		ADDED INSTALLATION DIMENSIONS		WEM	8/14/07	30X ± 0.010 ANGLE ± 30° 30X ± 0.005 1/2° FINISH		DURST		DIVISION OF REGAL BELLOTT CORP. P.O. BOX 288 BELLOTT WISCONSIN 53611		4PD09 INDEPENDENT CHARTED DRAWING	
2		REVISE NOTE 9, ADD PATENT N.O.		WEM	8/5/07	MOD. WHERE USED N/A		SCALE 3/8"		THIRD ANGLE PROJECT		PART NO. 4PD09I	
1		RELEASED TO PRODUCTION		TMS	8/2/05	DRAWN BY TMS DATE 6/1/05		PROJECT		SIZE D		REV. NO. ZONE DESCRIPTION	